

Celsius® CFT Logistic Accessories



Product Information

Celsius® CFT provides safe and easy-to-use solution through a series of accessories designed to minimize manual handling of Celsius®-Pak and to mitigate the associated risks. This gives to the end-users the possibility to build an industrial process from filling and freezing to shipping, thawing and dispensing.

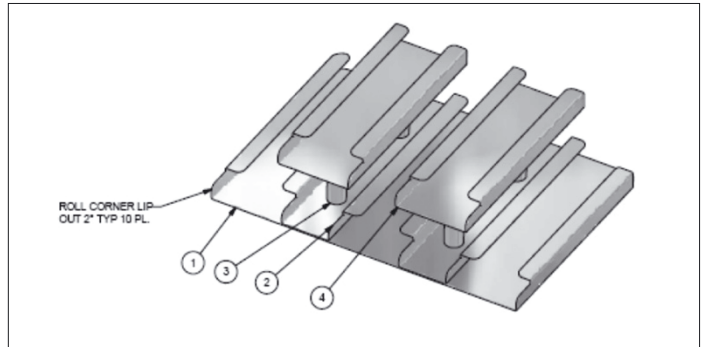
Transfer Carts

The Celsius® System Transfer Carts are designed to minimize the operator efforts when transferring Celsius®-Pak from and to the Freeze-Thaw Modules. The Transfer Carts have a docking system that perfectly aligns with the bays in the Freeze-Thaw Modules allowing the Celsius®-Pak to easily slide in or out the modules with minimum effort and complete safety for both operator and product. The Transfer Carts are available in two sizes: TC33 with a maximum carrying capacity of 33 L and TC100 with a maximum carrying capacity of 100 L.



Adaptor, Freezer Storage

The Adaptor, Freezer Storage, allows storage of up to 80 L of product in frozen Celsius®-Pak. This is a stainless steel rack especially designed to accommodate the Celsius®-Pak frames and enhance safely storage in common freezers. This accessory will maintain the frozen Celsius®-Pak in an upright and stable positioning preventing direct surface contact from one frozen Celsius®-Pak to another.



Celsius® SSM shipper

The Celsius® SSM can be shipped to remote locations by using the Celsius® SSM Shipper. The shipper provides adequate insulation and refrigeration to maintain all Celsius®-Pak in a maximally or minimally loaded SSM below -40°C for at least 72h during ISTA 7D summer or winter temperature profiles.



SM100 – Storage Module

The SM100 – Storage Module allows storage of up to 100 L of product in frozen Celsius®-Pak. This is a stainless steel cart with a reduced footprint compared to the Transfer Cart to optimize space in the storage area. The SM100 is mounted on a detachable trolley that permits the easy rolling of the module into freezers while allowing removing it for storage. The Trolley can also be docked with the Freeze-Thaw module or Transfer Cart for easy transfer of frozen Celsius®-Pak.



Celsius® SSM

The Celsius® Shippable Storage Module (SSM) allows storage of up to 100 L of product in frozen Celsius®-Pak. The Celsius® SSM is mounted on a Celsius® SSM trolley that permits the easy rolling of the module into freezers while allowing removing the SSM for storage. The Celsius® SSM Trolley can also be docked with the Freeze-Thaw module or Transfer Cart for easy transfer of frozen Celsius®-Pak.



SSM Trolley



Celsius® Shipper

The Celsius® Shipper allows shipment of individual Celsius®-Pak to remote locations. The shipper provides adequate insulation and refrigeration to maintain the Celsius®-Pak below -40°C for at least 116 h.



Celsius®-Pak Carrier

The Celsius®-Pak Carrier allows processing the Celsius®-Pak 1L or 2L in the Celsius® Freeze-Thaw Modules. The Celsius®-Pak Carrier can receive up to 8 Celsius®-Pak 1L or 4 Celsius®-Pak 2L or a mix of both.



Filling Station

The FS16 Filling Station optimizes the logistics of filling and pressurization of the Celsius®-Pak. The elevated mounting platform includes a docking system that allows the perfect aligning of the transfer carts to ensure the easy sliding of the Celsius®-Pak with no efforts for the operator and no risks for the contents. The Filling Station reproduces the placement and pressure of the Freeze-Thaw Modules plates over the Celsius®-Pak optimizing the container shape when filling and pressurizing. Connected to the platform balance, the controller with HMI (Human Machine Interface) allows accurate and automatic filling process with minimal operator intervention.



Filling Station Insert

The Filling Station Insert allows using the FS16 to fill and pressurize Celsius®-Pak 1L and 2L.



Technical Data

Transfer Carts	TC33	TC100
Materials	Type AISI 304 Stainless Steel (Polished)	Type AISI 304 Stainless Steel (Polished)
Dimensions (w × d × h)	30" × 35.5" × 54.6" (76 × 90 × 139 cm)	37" × 54" × 55" (94 × 137 × 139 cm)
Weight	111 lbs (50.4 Kg)	323 lbs (146.5 kg)

Filling Station	FS16-S2
Materials	Stainless steel AISI304, grinded
Dimensions (w × d × h)	58 ²¹ / ₃₂ " × 20 ¹⁵ / ₃₂ " × 76 ⁴⁹ / ₆₄ " (1490 × 520 × 1950 mm)
Weight	approx. 397 lbs (202 kg)

Adaptor, Freezer Storage, 80L, 20" deep	
Materials	Type AISI 304 Stainless Steel (Non-polished)
Dimensions (w × d × h)	34" × 22" × 8" (86 × 57 × 20 cm)
Weight	70 lbs (32 kg)

SM100 – Storage Module & Trolley	
Materials	Type AISI 304 Stainless Steel (Non-polished)
Dimensions (w × d × h)	29" × 47" × 41 ⁷ / ₈ " (without trolley) 29" × 47" × 56 ⁵ / ₈ " (mounted on trolley) 74 × 119 × 106 cm (without trolley) 74 × 119 × 144 cm (mounted on trolley)
Weight	238 lbs (108 kg) empty 557 lbs (253 kg) loaded

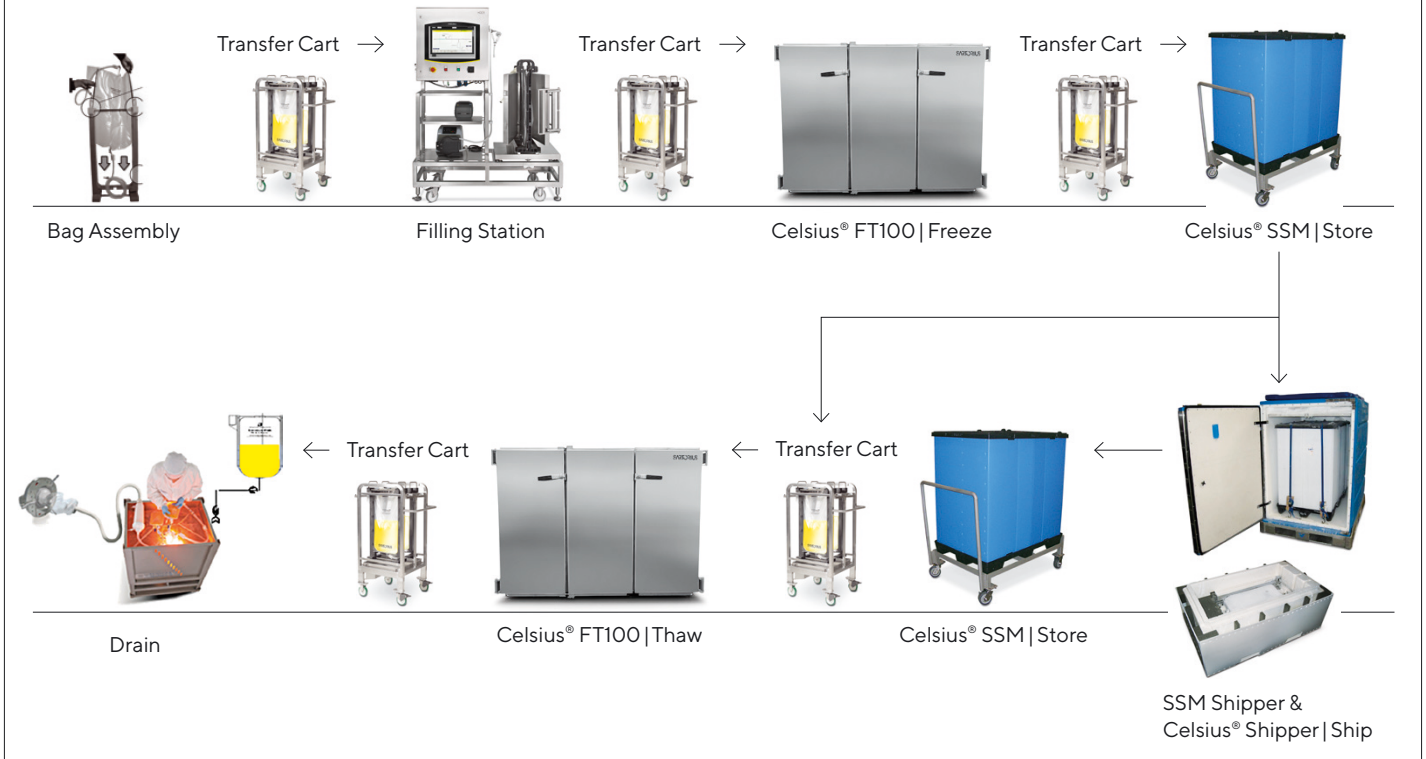
Shippable Storage	
Module	SSM
Materials	HDPE pallet and dunnage, XLPE foam, stainless steel hardware
Dimensions (w × d × h)	80 × 120 × 62 cm (collapsed) 80 × 120 × 127 cm (assembled) 32" × 47" × 25" (collapsed) 32" × 47" × 50" (assembled)
Weight	155 lbs (70 kg) empty, 462 lbs (210 kg) loaded

Celsius® SSM Shipper	
Materials	Aluminum pallet base, LLDPE exterior, fiberglass interior, polyurethane insulation
Dimensions (w × d × h)	48" × 61" × 70" (123 × 156 × 177 cm)
Weight	550 lbs (250 kg) empty, 1619 lbs (735 kg) loaded

Celsius® Shipper	
Materials	Corrugated plastic exterior, HDPE-lined polyurethane foam insulation, polyethylene and polyurethane foam
Dimensions (w × d × h)	33" × 57" × 26" (84 × 144 × 65 cm)
Weight	44 lbs (20 kg) empty, 180 lbs (82 kg) loaded

Process Cycle

Complete Logistics for Celsius®-Paks



Ordering Information

Part Number	Description
FTH-TC00033-0001	TC33 - Transfer Cart 33L
FTH-TC00100-0001	TC100 - Transfer Cart 100L
Upon request	Filling Station
FTH-SM00101-0024	Shippable Storage Module
FTH-SM00101-0028	SSM Shipper
FTH-SM00101-0020	SSM Trolley
FTH-SM00101-0027	SSM Insulated Cover
FTH-SM00102-0002	Celsius® Shipper
FTH-CF00004-0020	Celsius®-Pak 1L and 2L Carrier
FTH-CF00004-0050	Filling Station Insert for 1L and 2L Celsius®-Pak
FTH-SM00100-0070	SM100 - Storage Module
FTH-SM00101-0010	Trolley for SM100
FTH-SR00080-0003	Adaptor, Freezer Storage, 80 L, 20" deep

Sales and Service Contacts

For further contacts, visit
www.sartorius.com

Germany

Sartorius Stedim Biotech GmbH
August-Spindler-Strasse 11
37079 Goettingen
Phone +49 551 308 0

USA

Sartorius Stedim North America Inc.
565 Johnson Avenue
Bohemia, NY 11716
Toll-Free +1 800 368 7178