



sartorius

Entris®

Benefits

- Monolithic weigh cell for long-term high accuracy
- Built-in applications and function keys for convenient operation
- Backlit, high-contrast display for user-friendly guidance



Product Information

Get the reliability and quality of a Sartorius balance, but only pay for the features you really need.

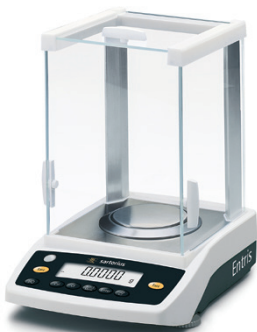
Entris® has been specially designed to deliver effective and reliable weighing results in your daily work. The easy and clearly structured user interface, the logical key assignment and excellent readability are ideal features for error-free operation.

Technical Specifications

| Specifications | |
|---|--|
| Int. weight circuit calibration | All models with the designation ENTRIS...i-1xx are equipped with an internal weight |
| Mains connection, voltage, frequency | via desktop power supply, 100-240 V AC, $\pm 10\%$, 50 – 60 Hz |
| Power consumption | maximum 16 VA; average 8 VA (including power supply) |
| Operating time with external battery YRB11Z (display backlighting on) | approx. 35 h |
| Standard Equipment | |
| Levelling | Glass level indicator with air bubble for centering |
| Calibration | – External calibration – Internal calibration |
| Selectable weight units ¹⁾ | Grams, Kilograms, Carats, Pounds, Ounces, Troy ounces, Hong Kong tael, Singapore tael, Taiwan tael, Grains, Pennyweights, Milligrams, Parts per pound, China tael, Mommies, Austrian carats, Tola, Baht, Mesghal, Tons, Pounds: ounces, Newton |
| Interface | RS232C 25-pin |
| Display | White backlit, high-contrast display with 15 mm digits |
| Standard built-in applications | Weighing, Density, Percentage, Counting, Animal Weighing, Conversion |
| Languages | English, French, German, Italian, Polish, Russian, Spanish |
| Anti-theft lock | Lockdown capability for cable or chain |
| Underfloor weighing | Integrated |

| Ambient Conditions | |
|--|---|
| The specifications apply when the following ambient conditions are in place: | |
| Environment | for indoor use only |
| Ambient temperature* | +10° C ... +30° C (+50° F ... +86° F) |
| Operational capacity | guaranteed between +5° C ... +40° C (+41° F ... +104° F) |
| Storage and shipping | -10° C ... +60° C (+14° F ... +140° F) |
| Elevation | up to 3000 m above sea level |
| Relative humidity | 15% to 80% for temperatures up to 31 °C; non-condensing, decreasing linearly to 50% relative humidity at 40 °C and 20% at 50 °C |
| Safety of electrical equipment | in accordance with EN 61010-1/IEC 61010-1 Safety requirements for electrical equipment for measurement, control, and laboratory use – Part 1: General requirements |
| Electromagnetic compatibility | in accordance with EN 61326-1/IEC 61326-1 Electrical equipment for measurement, control, and laboratory use – EMC requirements – Part 1: General requirements |
| Defined immunity to interference | Suitable for use in industrial areas |
| Interference emission | Class B (suitable for use in residential areas and areas that are connected to a low voltage network that also supplies residential buildings). The device can therefore be used in both areas. |

¹⁾ Depending on country-specific model



Design 1



Design 2



Design 3



Design 4

Analytical Balances Entris®

| Model | | ENTRIS224i-1x ¹⁾ | ENTRIS124i-1x ¹⁾ | ENTRIS64i-1x ¹⁾ |
|---|---------|-----------------------------|-----------------------------|----------------------------|
| Design | | 1 | 1 | 1 |
| Weighing capacity | g | 220 | 120 | 60 |
| Readability | mg | 0.1 | 0.1 | 0.1 |
| Repeatability (standard deviation) | mg | 0.1 | 0.1 | 0.1 |
| Linearity deviation | mg | 0.2 | 0.2 | 0.2 |
| Sensitivity drift between +10 °C and +30 °C | ± ppm/K | 3 | 3 | 3 |
| Typical stabilization time | s | 2.5 | 2.5 | 2.5 |
| Weighing pan size | mm | ∅ 90 | ∅ 90 | ∅ 90 |
| Weighing chamber height* | mm | 230 | 230 | 230 |
| Net weight, approx. | kg | 4.8 | 4.8 | 4.8 |
| Calibration | | Internal | Internal | Internal |

Precision Balances Entris®

| Model | | ENTRIS 623i-1x ¹⁾ | ENTRIS 423i-1x ¹⁾ | ENTRIS 323i-1x ¹⁾ | ENTRIS 153i-1x ¹⁾ | ENTRIS 6202i-1x ¹⁾ | ENTRIS 4202i-1x ¹⁾ | ENTRIS 3202i-1x ¹⁾ | ENTRIS 2202i-1x ¹⁾ |
|---|---------|------------------------------|------------------------------|------------------------------|------------------------------|-------------------------------|-------------------------------|-------------------------------|-------------------------------|
| Design | | 2 | 2 | 2 | 2 | 4 | 4 | 4 | 4 |
| Weighing capacity | g | 620 | 420 | 320 | 150 | 6,200 | 4,200 | 3,200 | 2,200 |
| Readability | mg | 1 | 1 | 1 | 1 | 10 | 10 | 10 | 10 |
| Repeatability (standard deviation) | mg | 1 | 1 | 1 | 1 | 10 | 10 | 10 | 10 |
| Linearity deviation | mg | 2 | 2 | 2 | 2 | 30 | 30 | 30 | 30 |
| Sensitivity drift between +10 °C and +30 °C | ± ppm/K | 3 | 3 | 3 | 3 | 4 | 4 | 4 | 4 |
| Typical stabilization time | s | 1.0 | 1.0 | 1.1 | 1.3 | 1.5 | 1.5 | 1.5 | 1.5 |
| Weighing pan size | mm | ∅ 115 | ∅ 115 | ∅ 115 | ∅ 115 | 180 × 180 | 180 × 180 | 180 × 180 | 180 × 180 |
| Weighing chamber height* | mm | 50 | 50 | 50 | 50 | – | – | – | – |
| Net weight, approx. | kg | 3.6 | 3.6 | 3.6 | 3.0 | 3.5 | 3.5 | 3.5 | 3.5 |
| Calibration | | Internal | Internal | Internal | Internal | Internal | Internal | Internal | Internal |

| Model | | ENTRIS822i-1x ¹⁾ | ENTRIS8201i-1x ¹⁾ | ENTRIS5201i-1x ¹⁾ | ENTRIS2201i-1x ¹⁾ |
|---|---------|-----------------------------|------------------------------|------------------------------|------------------------------|
| Design | | 3 | 4 | 4 | 4 |
| Weighing capacity | g | 820 | 8,200 | 5,200 | 2,200 |
| Readability | mg | 10 | 100 | 100 | 100 |
| Repeatability (standard deviation) | mg | 10 | 100 | 100 | 100 |
| Linearity deviation | mg | 30 | 300 | 300 | 300 |
| Sensitivity drift between +10 °C and +30 °C | ± ppm/K | 4 | 8 | 8 | 8 |
| Typical stabilization time | s | 1.5 | 1.5 | 1.5 | 1.5 |
| Weighing pan size | mm | ∅ 150 | 180 × 180 | 180 × 180 | 180 × 180 |
| Net weight, approx. | kg | 2.6 | 3.5 | 3.5 | 3.5 |
| Calibration | | Internal | Internal | Internal | Internal |

* Upper edge of the weighing pan to the lower edge of the upper draft shield panel

¹⁾ Possible terms for country-specific models:

x = S: Standard balances without country-specific additions

x = SUS: Standard balances with country-specific additions for USA

Analytical Balances Entris®

| Model | | ENTRIS224-1x ¹⁾ | ENTRIS124-1x ¹⁾ | ENTRIS64-1x ¹⁾ |
|---|---------|----------------------------|----------------------------|---------------------------|
| Design | | 1 | 1 | 1 |
| Weighing capacity | g | 220 | 120 | 60 |
| Readability | mg | 0.1 | 0.1 | 0.1 |
| Repeatability (standard deviation) | mg | 0.1 | 0.1 | 0.1 |
| Linearity deviation | mg | 0.2 | 0.2 | 0.2 |
| Sensitivity drift between +10 °C and +30 °C | ± ppm/K | 3 | 3 | 3 |
| Typical stabilization time | s | 2.5 | 2.5 | 2.5 |
| Weighing pan size | mm | ∅ 90 | ∅ 90 | ∅ 90 |
| Weighing chamber height* | mm | 230 | 230 | 230 |
| Net weight, approx. | kg | 4.4 | 4.4 | 4.4 |
| Calibration | | External | External | External |

Precision Balances Entris®

| Model | | ENTRIS 623-1x ¹⁾ | ENTRIS 423-1x ¹⁾ | ENTRIS 323-1x ¹⁾ | ENTRIS 153-1x ¹⁾ | ENTRIS 6202-1x ¹⁾ | ENTRIS 4202-1x ¹⁾ | ENTRIS 3202-1x ¹⁾ | ENTRIS 2202-1x ¹⁾ |
|---|---------|--------------------------------|--------------------------------|--------------------------------|--------------------------------|---------------------------------|---------------------------------|---------------------------------|---------------------------------|
| Design | | 2 | 2 | 2 | 2 | 4 | 4 | 4 | 4 |
| Weighing capacity | g | 620 | 420 | 320 | 150 | 6,200 | 4,200 | 3,200 | 2,200 |
| Readability | mg | 1 | 1 | 1 | 1 | 10 | 10 | 10 | 10 |
| Repeatability (standard deviation) | mg | 1 | 1 | 1 | 1 | 10 | 10 | 10 | 10 |
| Linearity deviation | mg | 2 | 2 | 2 | 2 | 30 | 30 | 30 | 30 |
| Sensitivity drift between +10 °C and +30 °C | ± ppm/K | 3 | 3 | 3 | 3 | 4 | 4 | 4 | 4 |
| Typical stabilization time | s | 1.0 | 1.0 | 1.1 | 1.3 | 1.5 | 1.5 | 1.5 | 1.5 |
| Weighing pan size | mm | ∅ 115 | ∅ 115 | ∅ 115 | ∅ 115 | 180 × 180 | 180 × 180 | 180 × 180 | 180 × 180 |
| Weighing chamber height* | mm | 50 | 50 | 50 | 50 | – | – | – | – |
| Net weight, approx. | kg | 3.2 | 3.2 | 3.2 | 2.6 | 3.1 | 3.1 | 3.1 | 3.1 |
| Calibration | | External | External | External | External | External | External | External | External |

| Model | | ENTRIS822-1x ¹⁾ | ENTRIS8201-1x ¹⁾ | ENTRIS5201-1x ¹⁾ | ENTRIS2201-1x ¹⁾ |
|---|---------|----------------------------|-----------------------------|-----------------------------|-----------------------------|
| Design | | 3 | 4 | 4 | 4 |
| Weighing capacity | g | 820 | 8,200 | 5,200 | 2,200 |
| Readability | mg | 10 | 100 | 100 | 100 |
| Repeatability (standard deviation) | mg | 10 | 100 | 100 | 100 |
| Linearity deviation | mg | 30 | 300 | 300 | 300 |
| Sensitivity drift between +10 °C and +30 °C | ± ppm/K | 4 | 8 | 8 | 8 |
| Typical stabilization time | s | 1.5 | 1.5 | 1.5 | 1.5 |
| Weighing pan size | mm | ∅ 150 | 180 × 180 | 180 × 180 | 180 × 180 |
| Net weight, approx. | kg | 2.0 | 2.7 | 2.7 | 2.7 |
| Calibration | | External | External | External | External |

* Upper edge of the weighing pan to the lower edge of the upper draft shield panel

¹⁾ Possible terms for country-specific models:

x = S: Standard balances without country-specific additions

x = SUS: Standard balances with country-specific additions for USA

Optional Accessories

Printer

| | |
|--------------------------------------|-----------|
| Data printer | YDP20-OCE |
| Paper rolls, 5 units, each with 40 m | 6906937 |
| Ink ribbon cassette | 6906918 |

Data Cable

| | |
|---|-------------|
| RS232 25pin male USB-cable type A, length approx. 1.8 m | YCC01-USBM2 |
| RS232 25pin male 25pin female, length approx. 1.5 m | 7357312 |
| RS232 25pin male 9pin female, length approx. 2.0 m | 7357314 |
| RS232 25pin male 9pin female, length approx. 0.5 m | 6965619 |

Density Determination

| | |
|---|-------|
| Density determination kit for balances with a readability of 0.1 mg | YDK03 |
|---|-------|

In-use Dust Cover

| | |
|---|----------|
| for models with a rectangular weighing pan | 6960ED01 |
| for models with a round weighing pan (∅ 150 mm) | 6960ED02 |

Dust Cover

| | |
|---|----------|
| for models with a readability of 0.1 mg | 6960BP08 |
|---|----------|

Weighing Table

| | |
|---|-------|
| made of wood with stone plate | YWT09 |
| made of stone, with vibration dampening | YWT03 |

Console

| | |
|-----------------------|-------|
| Wall mounting console | YWT04 |
|-----------------------|-------|

General

| | |
|--|-----------|
| Remote display, reflective (for connection to data interface port) | YRD03Z |
| External rechargeable battery pack | YRB11Z |
| Ionizing blower for eliminating static electricity | |
| – 220 – 240 V AC | YIB01-0DR |
| – 110 – 120 V AC | YIB01-0UR |
| Stat-Pen anti-static device for eliminating electrostatic charges on samples and containers (100 – 240 V AC, 50 60 Hz) | YSTP01 |

Calibration Weights

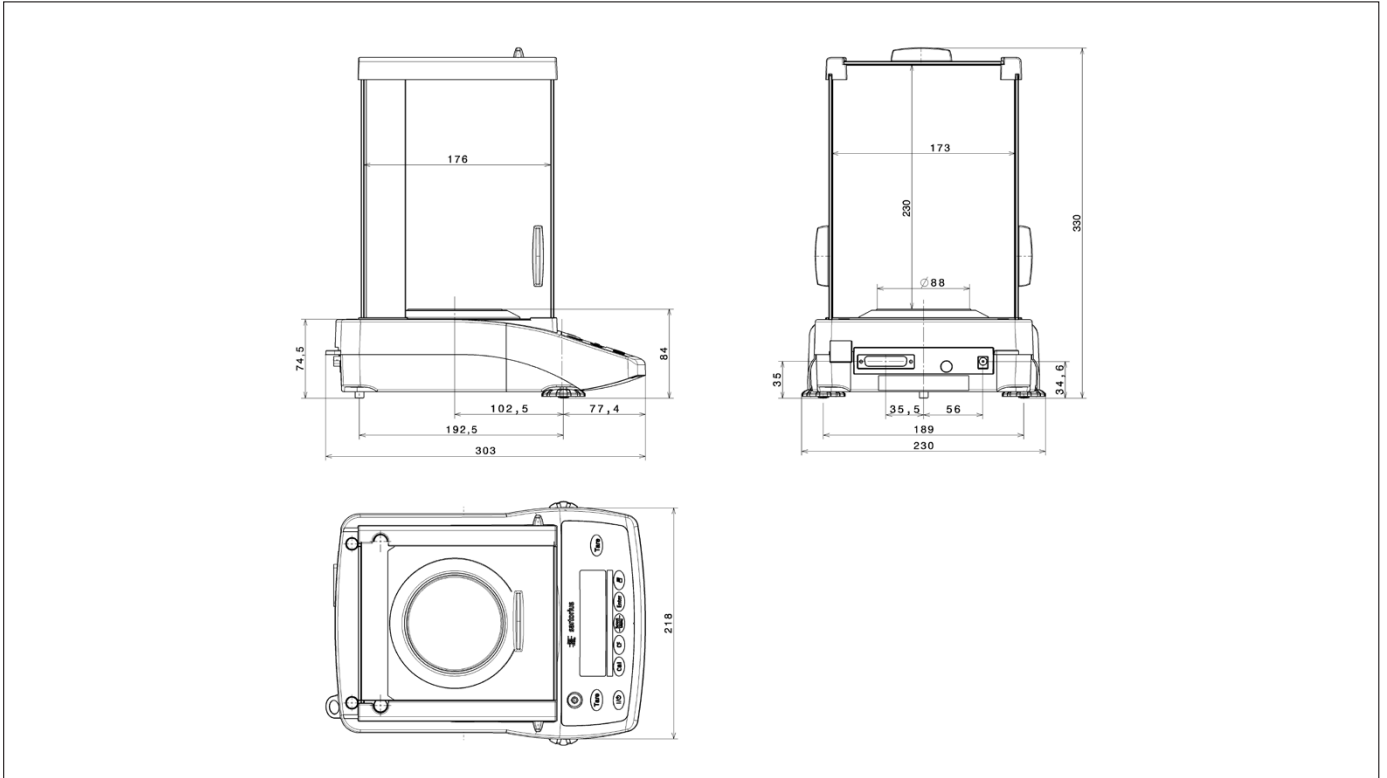
| | |
|---|--------------|
| Calibration for lab balance model 224 – Proof Line knob weight 200 g, OIML class E2, with DAkkS certificate | YCW522-AC-02 |
| Calibration for lab balance model 124 – Proof Line knob weight 100 g, OIML class E2, with DAkkS certificate | YCW512-AC-02 |
| Calibration for lab balance model 64 – Proof Line knob weight 50 g, OIML class E2, with DAkkS certificate | YCW452-AC-02 |
| Calibration for lab balance model 623 – Proof Line knob weight 500 g, OIML class F1, with DAkkS certificate | YCW553-AC-02 |
| Calibration for lab balance model 423; 323 – Proof Line knob weight 200 g, OIML class F1, with DAkkS certificate | YCW523-AC-02 |
| Calibration for lab balance model 153 – Proof Line knob weight 100 g, OIML class F1, with DAkkS certificate | YCW513-AC-02 |
| Calibration for lab balance model 6202 – Proof Line knob weight 5 kg, OIML class F1, with DAkkS certificate | YCW653-AC-02 |
| Calibration for lab balance model 4202; 3202; 2202 – Proof Line knob weight 2 kg, OIML class F1, with DAkkS certificate | YCW623-AC-02 |
| Calibration for lab balance model 822 – Proof Line knob weight 500 g, OIML class F2, with DAkkS certificate | YCW554-AC-02 |
| Calibration for lab balance model 8201; 5201 – Proof Line knob weight 5 kg, OIML class F2, with DAkkS certificate | YCW654-AC-02 |
| Calibration for lab balance model 2201 – Proof Line knob weight 2 kg, OIML class F2, with DAkkS certificate | YCW624-AC-02 |



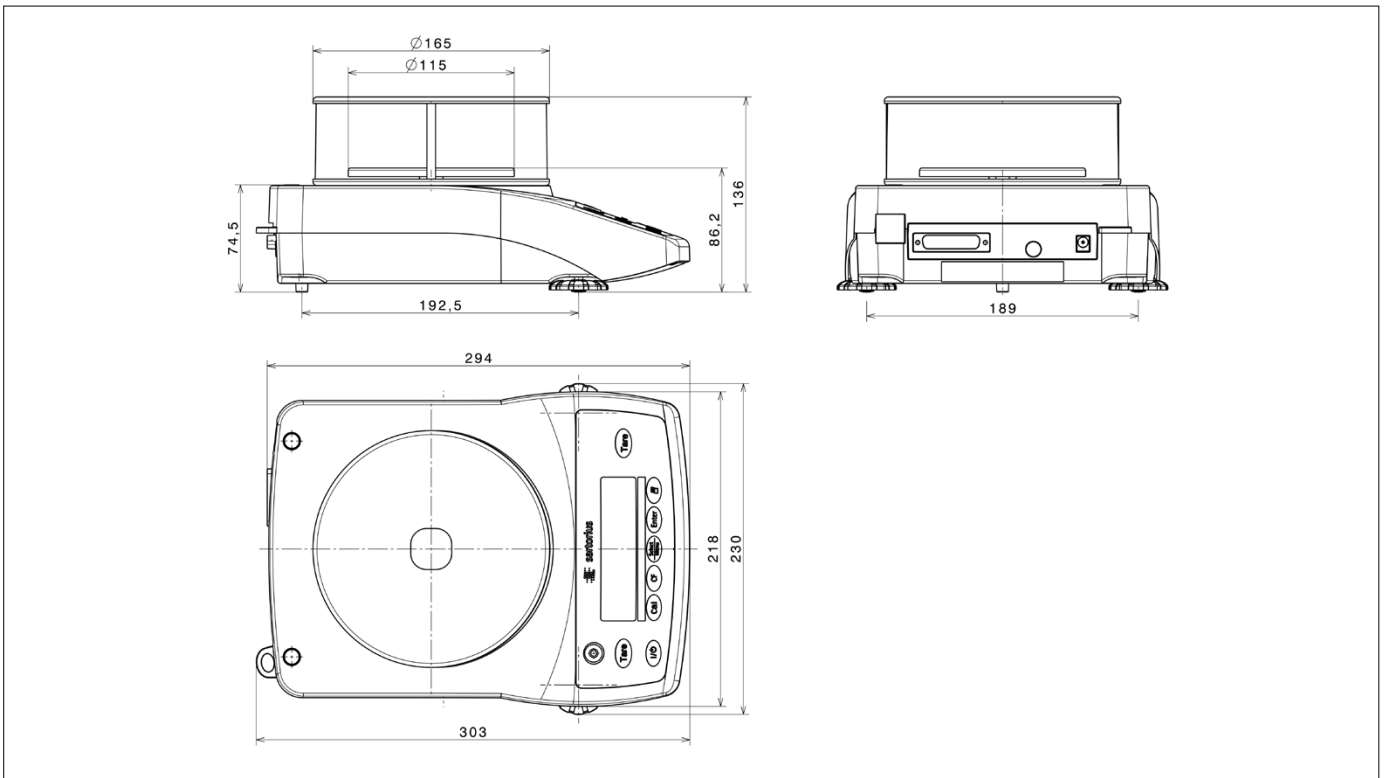
YDP20-OCE, Data printer

Technical Drawings

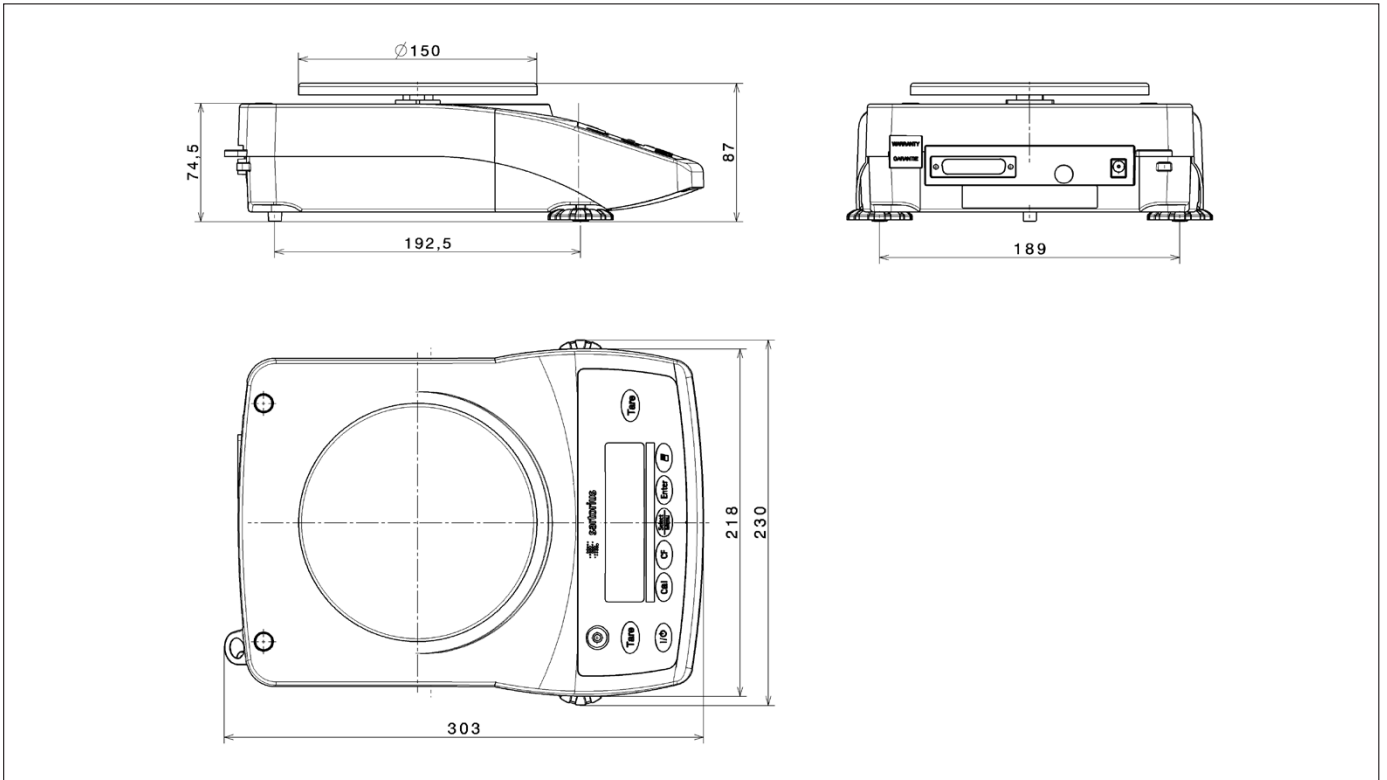
Models with a readability of 0.1 mg, in mm



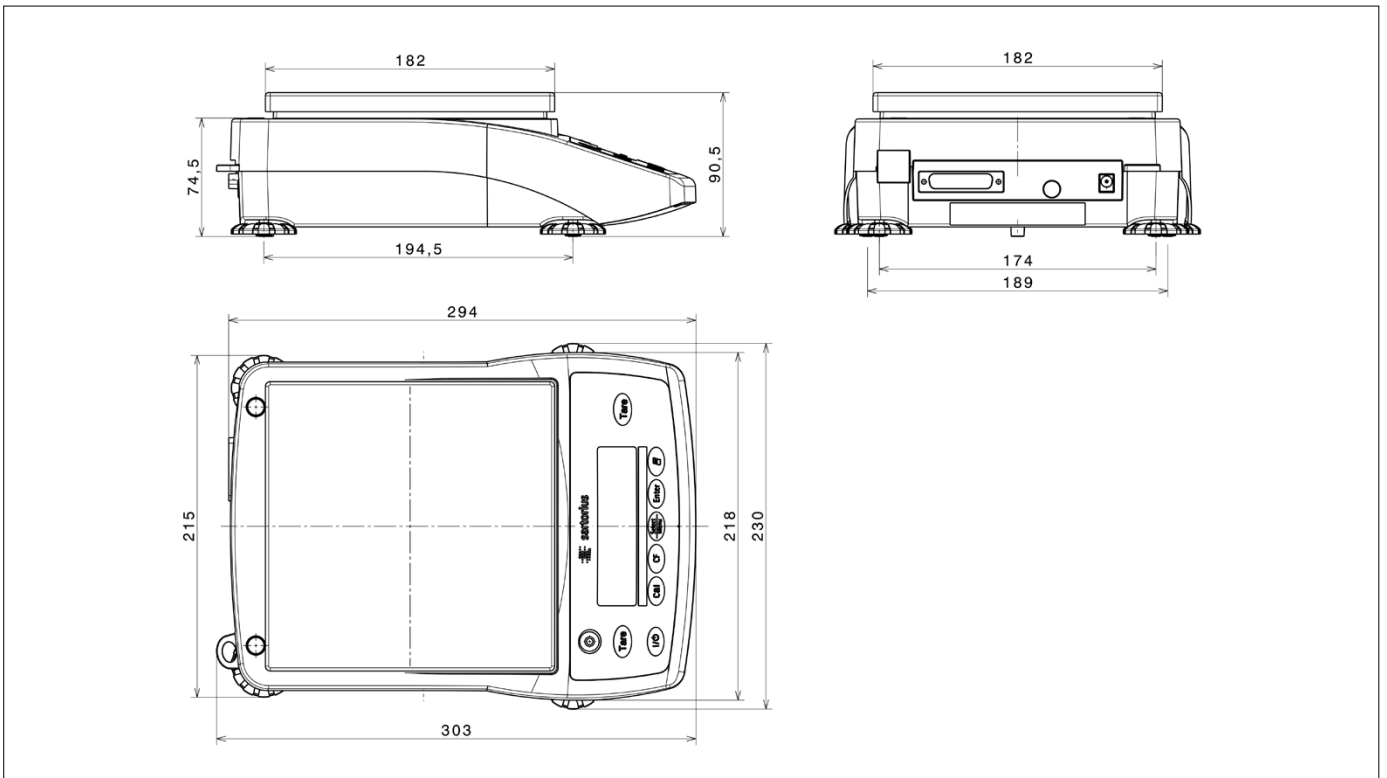
Models with a readability of 1 mg, in mm



Models with a readability of ≥ 10 mg (in mm) and round weighing pan



Models with a readability of ≥ 10 mg (in mm) and rectangular weighing pan



Sales and Service Contacts

For further contacts, visit www.sartorius.com

Europe

Germany
Sartorius Lab Instruments
GmbH & Co. KG
Otto-Brenner-Strasse 20
37079 Goettingen
Phone +49.551.308.0
Fax +49.551.308.3289

France & Suisse Romande
Sartorius France
2, rue Antoine Laurent de Lavoisier
ZA de la Gaudrée
91410 Dourdan
Phone +33.1.70.62.50.00
Fax +33.1.64.59.76.39

Austria
Sartorius Austria GmbH
Modecenterstrasse 22
1030 Vienna
Phone +43.1.7965760.0
Fax +43.1.7965760.24

Belgium
Sartorius Belgium N.V.
Rue Colonel Bourg 105
1030 Bruxelles
Phone +32.2.756.06.90
Fax +32.2.481.84.11

Finland & Baltics
Sartorius Biohit Liquid Handling Oy
Laippatie 1
00880 Helsinki
Phone +358.9.755.951
Fax +358.9.755.95.200

Hungary
Sartorius Hungária Kft.
Kagyló u. 5.
2092 Budakeszi
Phone +3623.457.227
Fax +3623.457.147

Ireland
Sartorius Ireland Ltd.
Unit 41, The Business Centre
Stadium Business Park
Ballycoolin Road
Dublin 11
Phone +353.1.8089050
Fax +353.1.8089388

Italy
Sartorius Italy S.r.l.
Via Torino 3/5
20814 Varedo (MB)
Phone +39.039.4659.1
Fax +39.039.4659.88

Netherlands
Sartorius Netherlands B.V.
Phone +31.30.60.53.001
Fax +31.30.60.52.917
info.netherlands@sartorius.com

Poland
Sartorius Poland sp.z o.o.
ul. Wrzesinska 70
62-025 Kostrzyn
Phone +48.61.6473830
Fax +48.61.6473839

Russian Federation
LLC "Sartorius RUS"
Uralskaya str. 4, Lit. B
199155 St. Petersburg
Phone +7.812.327.53.27
Fax +7.812.327.53.23

Spain & Portugal
Sartorius Spain, S.A.
Avda. de la Industria, 32
Edificio PAYMA
28108 Alcobendas (Madrid)
Phone Spain +34.913.586.095
Phone Portugal +351.800.855.800
Fax Spain +34.913.589.623
Fax Portugal +351.800.855.799

Switzerland
Sartorius Mechatronics Switzerland AG
Ringstrasse 24a
8317 Tagelswangen (ZH)
Phone +41.44.746.50.00
Fax +41.44.746.50.50

U.K.
Sartorius UK Ltd.
Longmead Business Centre
Blenheim Road, Epsom
Surrey KT19 9QQ
Phone +44.1372.737159
Fax +44.1372.726171

Ukraine
LLS "Sartorius RUS"
Post Box 440 "B"
01001 Kiev, Ukraine
Phone +380.44.411.4918
Fax +380.50.623.3162

Americas

USA
Sartorius Corporation
5 Orville Drive, Suite 200
Bohemia, NY 11716
Phone +1.631.254.4249
Toll-free +1.800.635.2906
Fax +1.631.254.4253

Argentina
Sartorius Argentina S.A.
Int. A. AVALOS 4251
B1605ECS Munro
Buenos Aires
Phone +54.11.4721.0505
Fax +54.11.4762.2333

Brazil
Sartorius do Brasil Ltda
Avenida Senador Vergueiro 2962
São Bernardo do Campo
CEP 09600-000 - SP- Brasil
Phone +55.11.4362.8900
Fax +55.11.4362.8901

Canada
Sartorius Canada Inc.
2179 Dunwin Drive #4
Mississauga, ON L5L 1X2
Phone +1.905.569.7977
Toll-Free +1.800.668.4234
Fax +1.905.569.7021

Mexico
Sartorius de México, S.A. de C.V.
Libramiento Norte de Tepetzotlan s/n,
Colonia Barrio Tlacateco,
Municipio de Tepetzotlan,
Estado de México,
C.P. 54605
Phone +52.55.5562.1102
Fax +52.55.5562.2942
leadsmex@sartorius.com

Peru
Sartorius Peru S.A.C.
Av. Emilio Cavenecia 264 San Isidro
15073 Lima, Perú
Phone +51.1.441 0158
Fax +51.1.422 6100

Asia | Pacific

Australia
Sartorius Australia Pty. Ltd.
Unit 5, 7-11 Rodeo Drive
Dandenong South Vic 3175
Phone +61.3.8762.1800
Fax +61.3.8762.1828

China
Sartorius (Shanghai) Trading Co., Ltd.
3rd Floor, North Wing, Tower 1
No. 4560 Jinke Road
Zhangjiang Hi-Tech Park
Pudong District
Shanghai 201210, P.R. China
Phone +86.21.6878.2300
Fax +86.21.6878.2882

Hong Kong
Sartorius Hong Kong Ltd.
Unit 1012, Lu Plaza
2 Wing Yip Street
Kwun Tong
Kowloon, Hong Kong
Phone +852.2774.2678
Fax +852.2766.3526

India
Sartorius Weighing India Pvt. Ltd.
#69/2-69/3, NH 48, Jakkasandra,
Nelamangala Tq
562 123 Bangalore, India
Phone +91.80.4350.5250
Fax +91.80.4350.5253

Japan
Sartorius Japan K.K.
4th Fl., Daiwa Shinagawa North Bldg.
8-11, Kita-Shinagawa 1-chome
Shinagawa-ku, Tokyo, 140-0001 Japan
Phone +81.3.3740.5408
Fax +81.3.3740.5406

Malaysia
Sartorius Malaysia Sdn. Bhd
Lot L3-E-3B, Enterprise 4
Technology Park Malaysia
Bukit Jalil
57000 Kuala Lumpur, Malaysia
Phone +60.3.8996.0622
Fax +60.3.8996.0755

Singapore
Sartorius Singapore Pte. Ltd
1 Science Park Road,
The Capricorn, #05-08A,
Singapore Science Park II
Singapore 117528
Phone +65.6872.3966
Fax +65.6778.2494

South Korea
Sartorius Korea Ltd.
8th Floor, Solid Space B/D,
PanGyoYeok-Ro 220, Bundang-Gu
SeongNam-Si, GyeongGi-Do, 463-400
Phone +82.31.622.5700
Fax +82.31.622.5799

Thailand
Sartorius (Thailand) Co. Ltd.
129 Rama 9 Road,
Huaykwang
Bangkok 10310
Phone +66.2643.8361-6
Fax +66.2643.8367



◀ www.sartorius.com