



Filter Housing Catalogue 1.0

Simplifying Progress

SARTORIUS

General Information

A new performance of delivery

- Short delivery time
- Flexible options

Focused quality - Filter cartridge housings

Sartorius Stedim Biotech standard filter housings meet the highest requirements of the biopharmaceutical industry. Controlled production engineering is a guarantee for outstanding quality in processing and operational safety. All filter cartridge

housings comply with Pressure Equipment Directive PED 2014|68|EU and design code AD2000. Our housings are equipped with FDA | USP Class VI certified gasket materials. Meticulously processed surfaces ensure operational safety wherever sterility and cleanability are concerned.

General housing data

Operation pressure	-1 bar up to +10 bar
Operation temperature	-10°C up to +150°C
Surface Inner Outer	0.4 µm 1.2 µm (electro-polished)
Medium group	1 (dangerous)
PED	DGRL 2014 68 EU
Design-Code	AD2000
Housing material „L“	AISI 316L (1.4404 1.4435)
Gasket „E“	EPDM
Documentation „Z“	„Z“ Premium Documentation Package

Each housing is delivered with the “Z” Premium Documentation Package

Content of the “Z” Premium Documentation Package

- Manual – english | german
- Drawing
- Certificate incl. declaration of conformity for the manufacture and pressure testing of pressure equipment according to the pressure equipment directive 2014|68|EU
- Inspection report for pressure equipment
- Certificate of conformity for gaskets
- Measuring records of roughness and delta-ferrite
- Welding records
- Weld seam plan
- Measuring records of wall thickness
- Quality control plan
- Confirmation of pickling after the welding process
- Confirmation of electro polishing and passivation
- Certificate of marking control and traceability
- Material certificates
- Standard operating procedure “Pressure test”
- Standard operating procedure „Pickling“
- Standard operating procedure „Electro polishing“
- Standard operating procedure „Ultrasonic cleaning“
- Standard operating procedure „Measuring of surface roughness“
- Standard operating procedure „Testing method of delta-ferrite content“



SYRTOHUS
780127257EEFELB



Housing Overview



Housing type	Pipe size	Inlet Outlet	Height	Product code	Order code
Gas 1-25	ISO - 33.7 × 2	Weld ends	5"	DG1-0-LEZ-I-S	8PJ28073300763LZ
Gas 1-25	ISO - 33.7 × 2	Weld ends	10"	DG1-1-LEZ-I-S	8PJ28073310763LZ
Gas 1-25	ISO - 33.7 × 2	Weld ends	20"	DG1-2-LEZ-I-S	8PJ28073320763LZ
Gas 1-25	ISO - 33.7 × 2	Weld ends	30"	DG1-3-LEZ-I-S	8PJ28073330763LZ
Gas 1-25	DIN - 29 × 1.5	Weld ends	5"	DG1-0-LEZ-D-S	8PJ28073300765LZ
Gas 1-25	DIN - 29 × 1.5	Weld ends	10"	DG1-1-LEZ-D-S	8PJ28073310765LZ
Gas 1-25	DIN - 29 × 1.5	Weld ends	20"	DG1-2-LEZ-D-S	8PJ28073320765LZ
Gas 1-25	DIN - 29 × 1.5	Weld ends	30"	DG1-3-LEZ-D-S	8PJ28073330765LZ
Gas 1-25	OD - 38.1 × 1.65	Weld ends	5"	DG1-0-LEZ-O-S	8PJ28073300762LZ
Gas 1-25	OD - 38.1 × 1.65	Weld ends	10"	DG1-1-LEZ-O-S	8PJ28073310762LZ
Gas 1-25	OD - 38.1 × 1.65	Weld ends	20"	DG1-2-LEZ-O-S	8PJ28073320762LZ
Gas 1-25	OD - 38.1 × 1.65	Weld ends	30"	DG1-3-LEZ-O-S	8PJ28073330762LZ

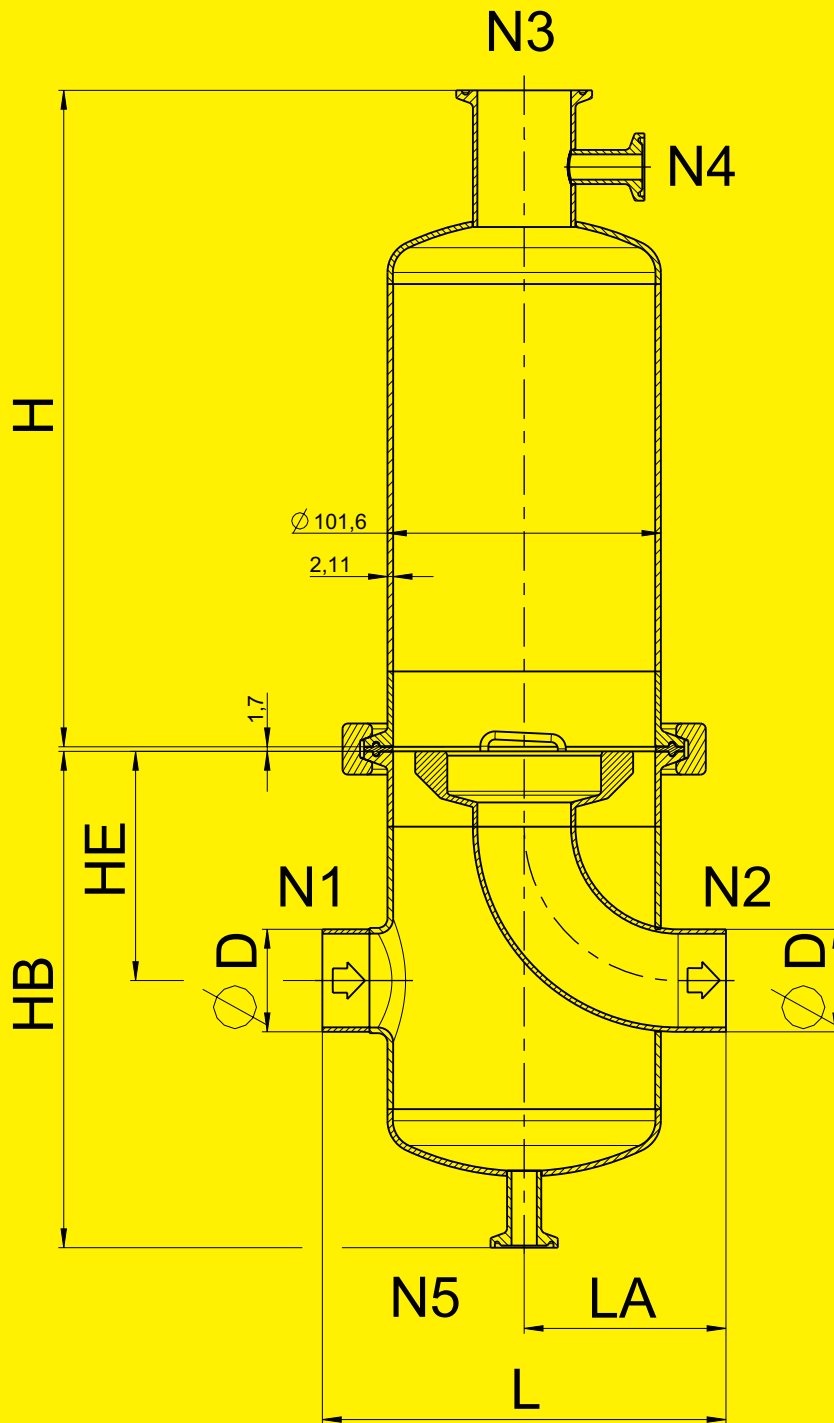


Gas 1-25	ISO - 33.7 × 2	TC 50.5	5"	DG1-0-LEZ-I-T	8PJ28073300764LZ
Gas 1-25	ISO - 33.7 × 2	TC 50.5	10"	DG1-1-LEZ-I-T	8PJ28073310764LZ
Gas 1-25	ISO - 33.7 × 2	TC 50.5	20"	DG1-2-LEZ-I-T	8PJ28073320764LZ
Gas 1-25	ISO - 33.7 × 2	TC 50.5	30"	DG1-3-LEZ-I-T	8PJ28073330764LZ
Gas 1-25	DIN - 29 × 1.5	TC 50.5	5"	DG1-0-LEZ-D-T	8PJ28073300766LZ
Gas 1-25	DIN - 29 × 1.5	TC 50.5	10"	DG1-1-LEZ-D-T	8PJ28073310766LZ
Gas 1-25	DIN - 29 × 1.5	TC 50.5	20"	DG1-2-LEZ-D-T	8PJ28073320766LZ
Gas 1-25	DIN - 29 × 1.5	TC 50.5	30"	DG1-3-LEZ-D-T	8PJ28073330766LZ
Gas 1-25	OD - 38.1 × 1.65	TC 50.5	5"	DG1-0-LEZ-O-T	8PJ28073300761LZ
Gas 1-25	OD - 38.1 × 1.65	TC 50.5	10"	DG1-1-LEZ-O-T	8PJ28073310761LZ
Gas 1-25	OD - 38.1 × 1.65	TC 50.5	20"	DG1-2-LEZ-O-T	8PJ28073320761LZ
Gas 1-25	OD - 38.1 × 1.65	TC 50.5	30"	DG1-3-LEZ-O-T	8PJ28073330761LZ



Housing type	Pipe size	Inlet Outlet	Height	Product code	Order code
Liquid 1-25	ISO - 33.7 × 2	Weld ends	5"	FG1-0-LEZ-I-S	8PJ28073300770LZ
Liquid 1-25	ISO - 33.7 × 2	Weld ends	10"	FG1-1-LEZ-I-S	8PJ28073310770LZ
Liquid 1-25	ISO - 33.7 × 2	Weld ends	20"	FG1-2-LEZ-I-S	8PJ28073320770LZ
Liquid 1-25	ISO - 33.7 × 2	Weld ends	30"	FG1-3-LEZ-I-S	8PJ28073330770LZ
Liquid 1-25	DIN - 29 × 1.5	Weld ends	5"	FG1-0-LEZ-D-S	8PJ28073300768LZ
Liquid 1-25	DIN - 29 × 1.5	Weld ends	10"	FG1-1-LEZ-D-S	8PJ28073310768LZ
Liquid 1-25	DIN - 29 × 1.5	Weld ends	20"	FG1-2-LEZ-D-S	8PJ28073320768LZ
Liquid 1-25	DIN - 29 × 1.5	Weld ends	30"	FG1-3-LEZ-D-S	8PJ28073330768LZ
Liquid 1-25	OD - 25.4 × 1.65	Weld ends	5"	FG1-0-LEZ-O-S	8PJ28073300772LZ
Liquid 1-25	OD - 25.4 × 1.65	Weld ends	10"	FG1-1-LEZ-O-S	8PJ28073310772LZ
Liquid 1-25	OD - 25.4 × 1.65	Weld ends	20"	FG1-2-LEZ-O-S	8PJ28073320772LZ
Liquid 1-25	OD - 25.4 × 1.65	Weld ends	30"	FG1-3-LEZ-O-S	8PJ28073330772LZ
Liquid 1-25	ISO - 33.7 × 2	TC 50.5	5"	FG1-0-LEZ-I-T	8PJ28073300769LZ
Liquid 1-25	ISO - 33.7 × 2	TC 50.5	10"	FG1-1-LEZ-I-T	8PJ28073310769LZ
Liquid 1-25	ISO - 33.7 × 2	TC 50.5	20"	FG1-2-LEZ-I-T	8PJ28073320769LZ
Liquid 1-25	ISO - 33.7 × 2	TC 50.5	30"	FG1-3-LEZ-I-T	8PJ28073330769LZ
Liquid 1-25	DIN - 29 × 1.5	TC 50.5	5"	FG1-0-LEZ-D-T	8PJ28073300767LZ
Liquid 1-25	DIN - 29 × 1.5	TC 50.5	10"	FG1-1-LEZ-D-T	8PJ28073310767LZ
Liquid 1-25	DIN - 29 × 1.5	TC 50.5	20"	FG1-2-LEZ-D-T	8PJ28073320767LZ
Liquid 1-25	DIN - 29 × 1.5	TC 50.5	30"	FG1-3-LEZ-D-T	8PJ28073330767LZ
Liquid 1-25	OD - 25.4 × 1.65	TC 50.5	5"	FG1-0-LEZ-O-T	8PJ28073300771LZ
Liquid 1-25	OD - 25.4 × 1.65	TC 50.5	10"	FG1-1-LEZ-O-T	8PJ28073310771LZ
Liquid 1-25	OD - 25.4 × 1.65	TC 50.5	20"	FG1-2-LEZ-O-T	8PJ28073320771LZ
Liquid 1-25	OD - 25.4 × 1.65	TC 50.5	30"	FG1-3-LEZ-O-T	8PJ28073330771LZ

Gas Housing
1-round Adapter 25 (Code 7)



Nozzle description

N3	TC sacc. to DIN 32676 - 1½" - 38.1 mm × 1.65 mm - TC 50.5 mm
N4	TC acc. to DIN 32676 - ½" - 12.7 mm × 1.65 mm - TC 25 mm
N5	TC acc. to DIN 32676 - ½" - 12.7 mm × 1.65 mm - TC 25 mm

Configuration of product code

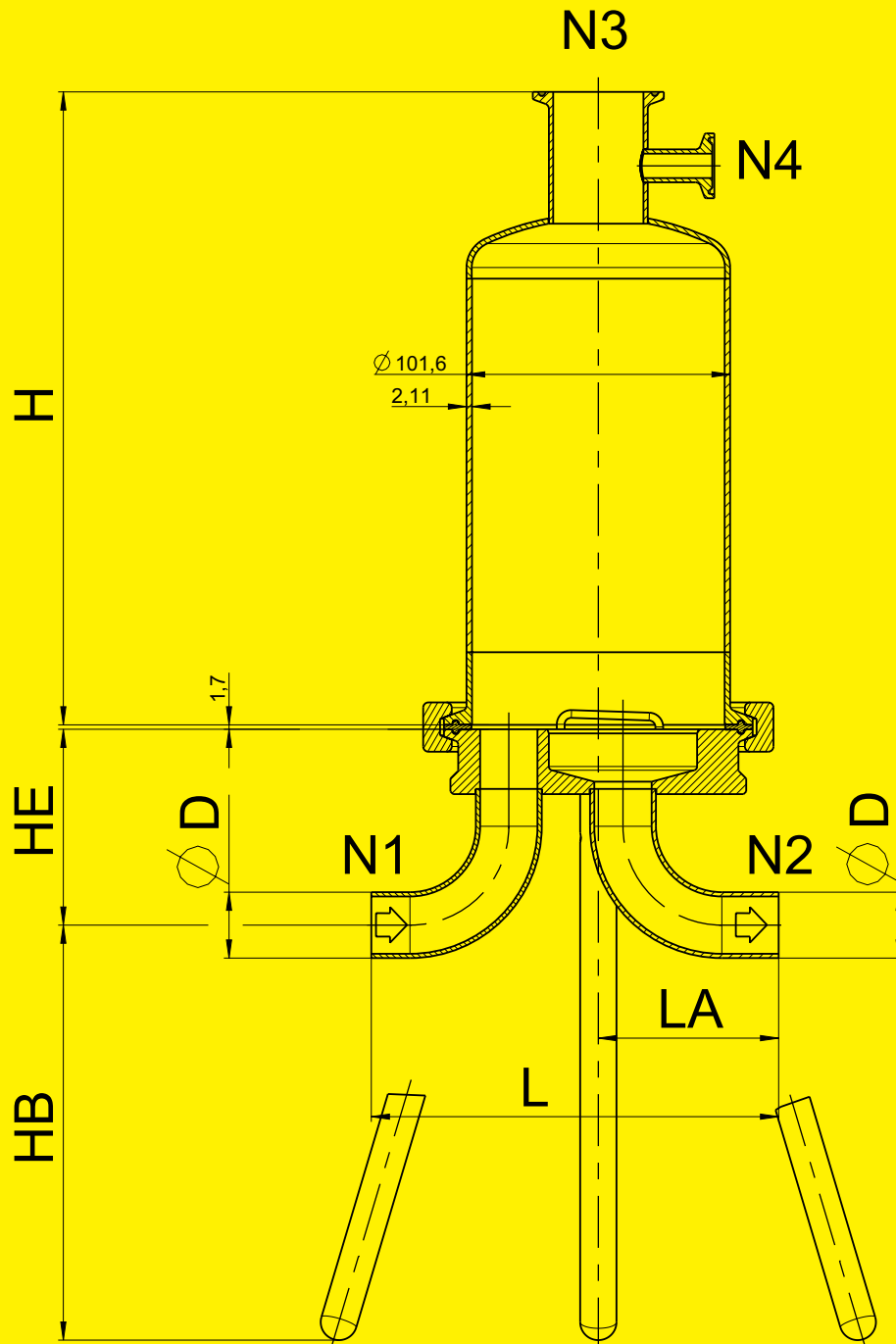
DG1 - X - L E Z - X - X

Height	Pipe size D	Connection N1 N2
0 5"	D DIN - 29 mm × 1.5 mm	S Orbital welding end
1 10"	I ISO - 33.7 mm × 2 mm	T TC acc. to DIN 32676
2 20"	O OD - 38.1 mm × 1.65 mm	
3 30"		

Pipe size	Information to „L“	L +1 -2	LA	HE +1 -2	HB +1 -2
DIN 29 mm × 1.5 mm	Orbital welding end	150 mm	75 mm	80.5 mm	184.5 mm
	TC DIN 32676	222 mm	111 mm		
ISO 33.7 mm × 2 mm	Orbital welding end	152 mm	76 mm		
	TC DIN 32676	224 mm	112 mm		
OD 38.1 mm × 1.65 mm	Orbital welding end	150 mm	75 mm	85.2 mm	
	TC DIN 32676	222 mm	111 mm		

„H“	+2 -5
5"	244 mm
10"	384 mm
20"	634 mm
30"	884 mm

Liquid Housings
1-round Adapter 25 (Code 7)



Nozzle description

N3	TC acc. to DIN 32676 - 1½" - 38.1 mm × 1.65 mm - TC 50.5 mm
N4	TC acc. to DIN 32676 - ½" - 12.7 mm × 1.65 mm - TC 25 mm

Configuration of product code

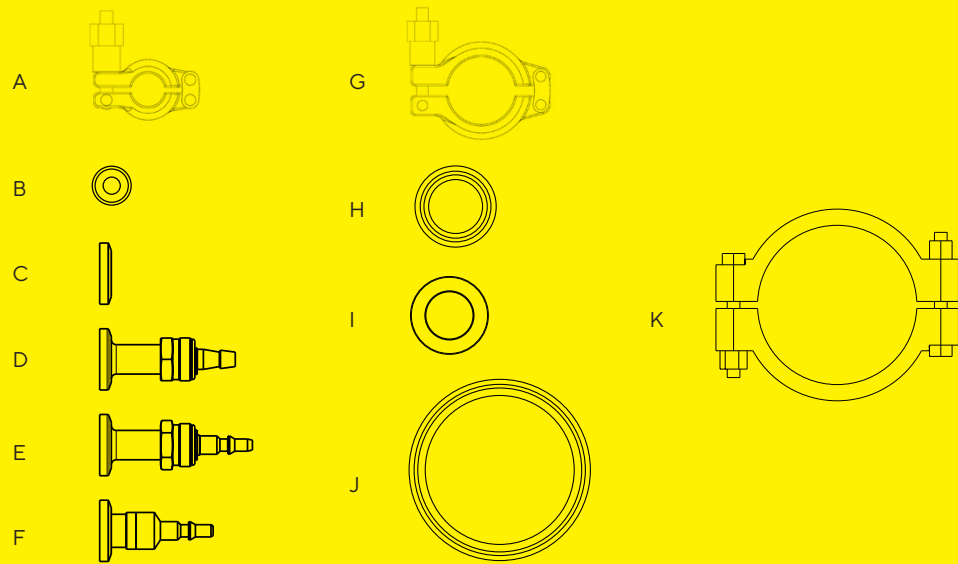
FG-1 - X - L E Z - X - X

Height		Pipe size D		Connection N1 N2	
0	5"	D	DIN - 29 mm × 1.5 mm	S	Orbital welding end
1	10"	I	ISO - 33.7 mm × 2 mm	T	TC acc. to DIN 32676
2	20"	O	OD - 25.4 mm × 1.65 mm		
3	30"				

Pipe size	Information to „L“	L +1 -2	LA	HE +1 -2	HB + -5	DF + -10
DIN 29 mm × 1.5 mm	Orbital welding end	174 mm	74.5 mm	75.5 mm	160 mm	258 mm
	TC DIN 32676	246 mm	110.5 mm			
ISO 33.7 mm × 2 mm	Orbital welding end	164 mm	69.5 mm			
	TC DIN 32676	236 mm	105.5 mm			
OD 25.4 mm × 1.65 mm	Orbital welding end	157 mm	69.5 mm			
	TC DIN 32676	229 mm	105.5 mm			

„H“	+2 -5
5"	244 mm
10"	384 mm
20"	634 mm
30"	884 mm

Spare-Parts



For	Optional spare parts	Order code	
N4	A	Clamp for TC 25	7ZSB--0051
	B	Gasket 1/2"	
		EPDM (2 pieces)	7EDECV0001
		Silicone (2 pieces)	7EDSCV0001
		Fluoroelastomer (2 pieces)	7EDVCV0001
		PTFE with Fluoroelastomer core (2 pieces)	7EDWCV0003
	C	Blind TC for TC 25 (2 pieces)	7ZAL-V0005
	D	Pharma valve with TC 25	7ZMLN-0048
E	Pharma valve with RBE03 and TC 25	7ZVLN-0121	
F	Automatic male plug closure RBE03 and TC 25	7ZMLN-0015	
N3	G	Clamp for TC 50.5	7ZSB--0052
	H	Gasket 1 1/2"	
		EPDM (2 pieces)	7EDECV0003
		Silicone (2 pieces)	7EDSCV0003
		Fluoroelastomer (2 pieces)	7EDVCV0003
		PTFE with Fluoroelastomer core (2 pieces)	7EDWCV0005
I	Blind TC for TC 50.5 (2 pieces)	7ZAL-V0006	
Housing closure	J	Housing gasket 4"	
		EPDM (2 pieces)	7EDECV0007
		Silicone (2 pieces)	7EDSCV0007
		Fluoroelastomer (2 pieces)	7EDVCV0007
		PTFE with EPDM core (2 pieces)	7EDXCV0001
K	2-piece Clamp for TC 4" - with screws, washers	7ZSB--0030	

Removable Heater (Optional Spare Part)

The housing heaters offer tight temperature control and advanced functionality, while complying with strict safety regulations.

The ELTC-14 control unit is a stand alone solution, which features a user friendly digital display and a high | low temperature alarm relay. It is CE tested and marked for both electrical and thermal safety.

Order information

Order code	Height electrical power
7ZE---0030	5", Height 155 mm, 50 W max.
7ZE---0031	10", Height 270 mm, 100 W max.
7ZE---0032	20", Height 540 mm, 200 W max.
7ZE---0033	30", Height 810 mm, 300 W max.

Operation data

Supply Voltage	230 Volt + -10%, 50 Hz
Switching Capacity	16 Ampere 230 Volt
Measuring Input	PT 100 DIN 2-Wire
Adjustment Range	0 ... +100°C
Ambient Range	-30 ... +60°C
Protection Type Controller	IP65 Protection Class I
Protection Type heating jacket	IP54 Protection Class II
Outside material	Glass fabric (PTFE coated)
CE Conformity	2004 108 EC 2006 95 EC 2011 65 EC

Lengths of Cables

Power supply cable (black)	3.0 m
Data cable (red)	2.0 m




Germany

Sartorius Stedim Biotech GmbH
August-Spindler-Strasse 11
37079 Goettingen
Phone +49 551 308 0

USA

Sartorius Stedim North America Inc.
565 Johnson Avenue
Bohemia, NY 11716
Toll-Free +1 800 368 7178

 For further contacts, visit
www.sartorius.com