

High Resolution Load Cells, IP68

OEM weigh cells

WZA25-NC

WZA...	25-NC
Capacity	20 g
Readability	0.01 mg

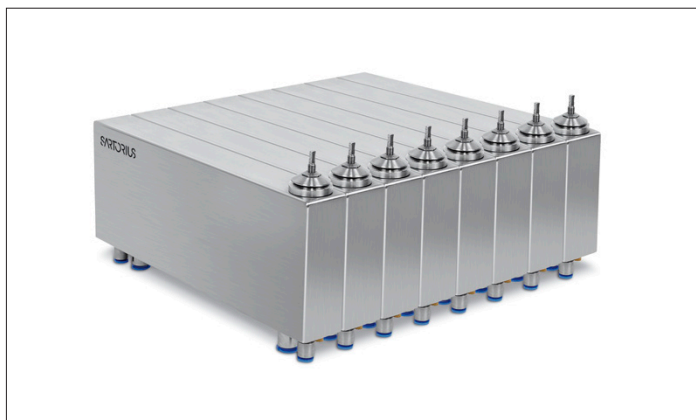
The WZA25-NC has a capacity of 20 g with a readability of 10 µg combined with a small housing. A multiple weighing system can be arranged in linear fashion with a distance of 25 mm between the weighing pins. Head to Head configuration allow 12.5 mm track distance.



The weigh cell consist of two parts:

- A monolithic weighing system in stainless steel IP44 housing
- Improved balance IP68
- Aluminium electronic box, all connection via the front
- Force compensation technology weighing system with a resolution of 0.01 mg
- Internal calibration weight by external control for easy checks in automated environments
- Excellent weighing technology bundled with easy adaptation
- Adjustable load receptor with overload protection and lift-off protection
- Interconnection on electronic front panel
- LED's to control power and data transfer
- Fast warm-up by separation of weighing system and electronics

- RS232C interface for configuration and data transfer
- IP68 during wash down | IP 44 during weighing
- With IP68 this weigh cell is well suited for pharmaceutical applications with requirements for Clean-in-place (CIP) and Sterilize-in-Place (SIP).
- Optional PC-software with menu setting, weigh data display and internal calibration functions
- Display can be plugged during operation
- Several units can be combined by parallelization of multiple weigh cells – each every 25 mm.
- Customer housing of multiple weigh cells can fitted easily over the weigh cells.
- Sealing rings on top can be dismantled and refitted after placement of customer housing.



Aluminium electronic box

Technical Data

Model	WZA25-NC	
Capacity	20 g	
Readability	10 µg	
Preload min. ¹⁾	5 g	
Repeatability (standard deviation) ²⁾	≤± 20 µg	
Linearity	≤± 50 µg	
Measuring time ²⁾³⁾	0.8 s / ±10 µg 400 ms / ± 100 µg 250 ms / ± 1 mg	
Operating temperature range	+10 ... +30 °C	
Allowable temperature range	+5 ... +40 °C	
Weigh cell dimension	24 × 180 × 87 mm (base × height)	
Electronic dimension	130 × 208 × 45 mm (base × height)	
Pin for weighing pan load receptor	3 mm Ø / 20 mm above housing, integrated overload and lift off protection	
Cable length weigh cell to electronics	3 m	
Power supply	YEPS01-15V0H 100 – 240VAC, 50 – 60Hz 15V DC	
Power supply (alternative)	12...26, optimal 15V (+15% -10%); 0.5V _{pp} (Peak to Peak)	
Power consumption	8 VA (average)	
Interface	RS232C , software hardware handshake; No system power via RS232 connector	
Materials	Housing	Stainless steel 1.4404 / AISI316L
	Weighing pin	Titanium
	Electronic Box	Transparently passivated aluminum
IP rating related to DIN EN 60529	IP44 IP68 ⁴⁾	

Options | Accessories

Windows configuration software for test and adjustment	Sartorius CAS Suite
Liquid-crystal display	YAC01ED

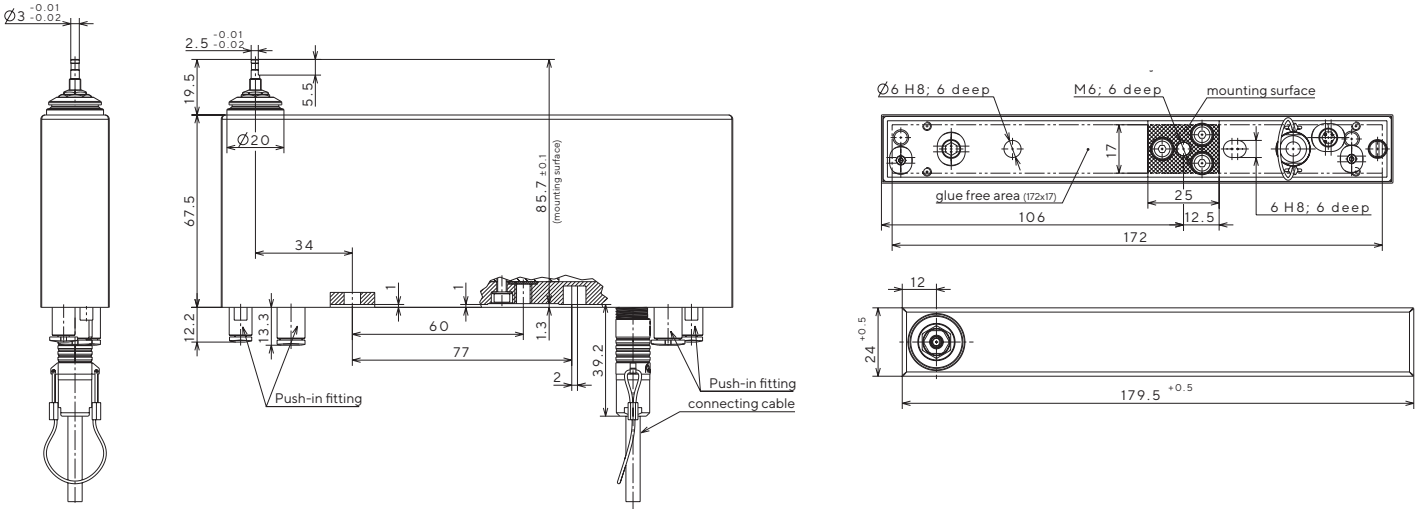
1) the preload can be configured by using the Sartorius CAS Suite H8S software; higher preload will reduce the weighing range

2) depending on measurement equipment set-up and conditions;

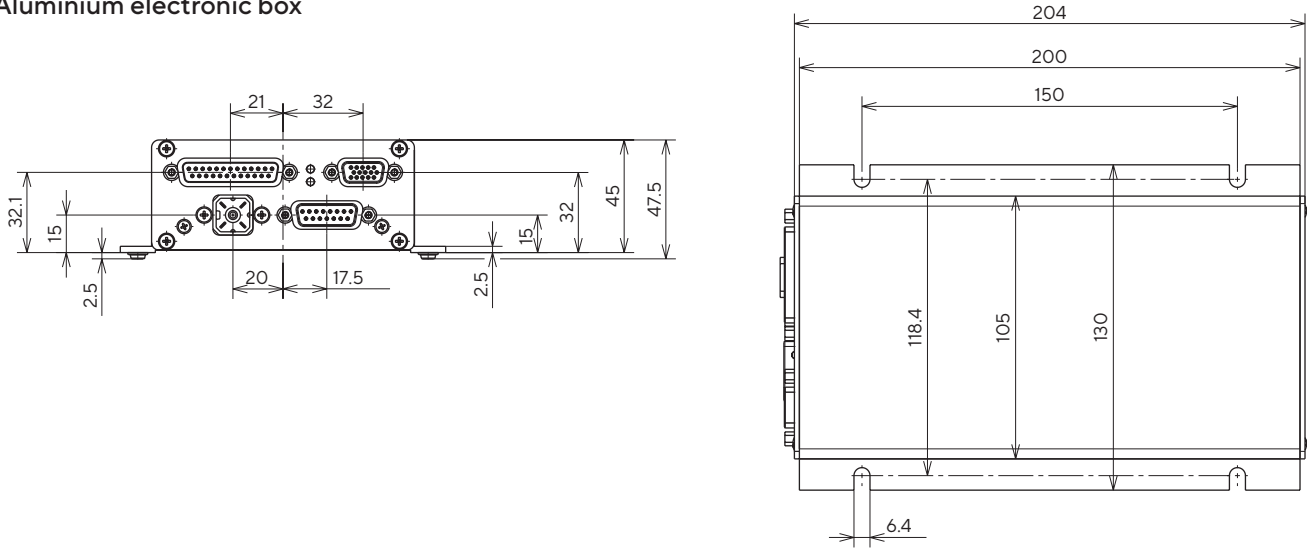
3) measuring time is the time in which the measured value is in the given range around the static end value; test weight is approx. 25% of the weighing range.

4) please refer to application instruction manual

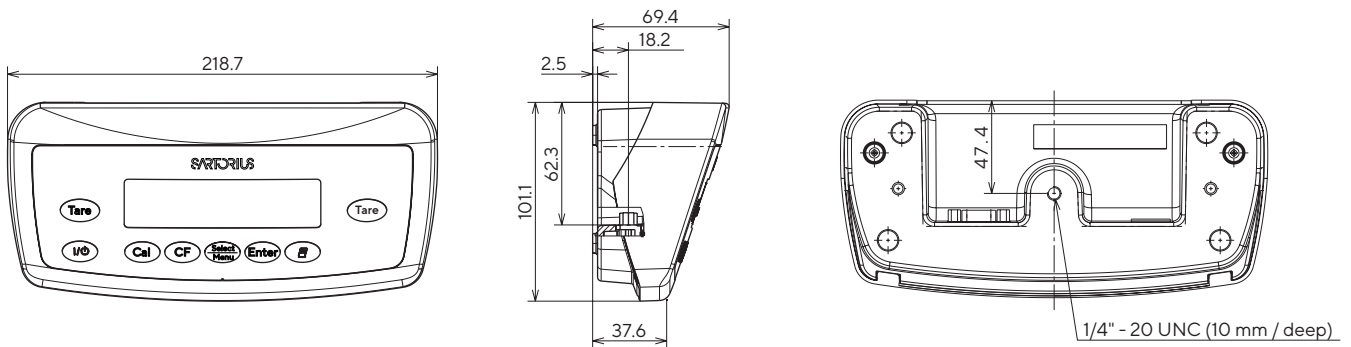
Weigh cell



Aluminium electronic box



Optional YAC01ED Display and Control Unit



Dimensions in mm

Germany

Sartorius Lab Instruments GmbH & Co. KG
Otto-Brenner-Strasse 20
37079 Goettingen
Phone +49 551 308 0

France & Suisse Romande

Phone +33 170 62 50 00

Finland & Baltics

Phone +358 9 755 951

Italy

Phone +39 0362 5557 11

U.K.

Phone +44 1372 737159

USA

Toll-free +1 800 635 2906

China


Phone +86 21 6878 2300

Japan

Phone +81 3 6478 5200

South Korea

Phone +82 31 622 5700

 For further contacts, visit
www.sartorius.com