

High Resolution

OEM weigh cells

WZA245-NC

WZA26-HC

WZA...	245-NC	26-HC
Capacity	240 g	20 g
Readability	10 mg	1 µg

The WZA-NC series is the successor of the well established WZA...CW-line. The products provide a readability of 1 µg | 10 µg for the weighing capacity of 20 g | 240 g. The weighing system as well the electronic are designed for space sensitive applications in stainless steel housings.

The weigh cell consist of two parts:

- A monolithic weighing system in stainless steel IP44 housing
- Stainless steel electronic box, all connection via the front



- Force compensation technology system with a resolution of 1 µg | 10 µg
- Superb electronics for 24 Mio. step resolution
- Internal calibration weight for easy checks in automated environments
- Load receptor with overload protection
- Possibility for under floor weighing
- Fast warm-up by separation of weighing system and electronics
- USB | RS232C interface for configuration and data transfer
- Optional PC-software with menu setting, weigh data display and internal calibration functions
- Applications can be found in weighing of samples in automated system, manual pipette calibration and in automated liquid control, e.g. LCD productions.

Technical Data



Electronic box



YAC01CU (optional)



YCP01WZA (optional)

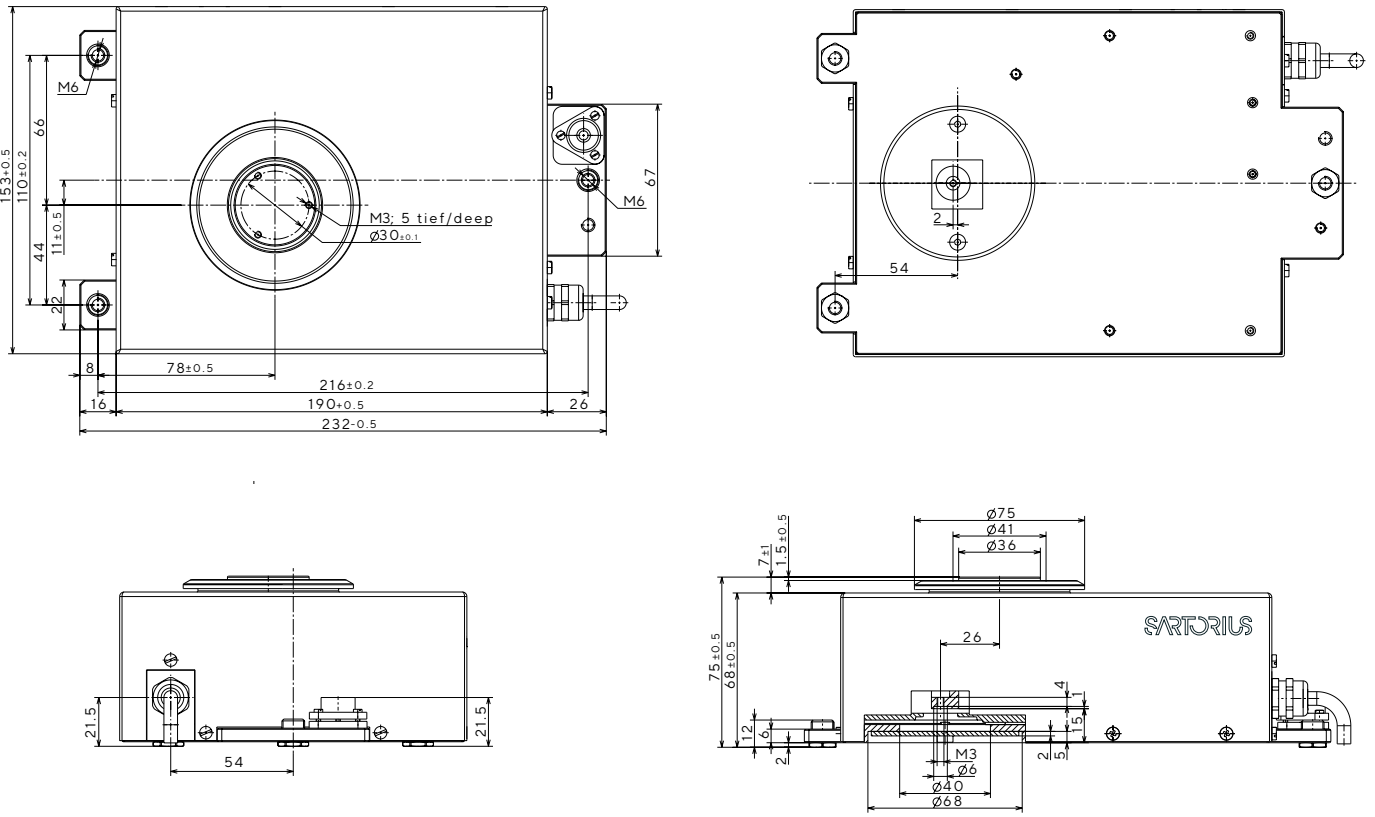
Model	WZA245-NC	WZA26-HC
Capacity	240 g	20 g
Readability	10 µg	1 µg
Preload ¹⁾	0 g	12.5 g
Repeatability (standard deviation) ²⁾	≤± 20 µg	≤± 2 µg
Linearity	≤± 0.15 mg	≤± 0.02 mg
Measuring time ²⁾³⁾	1.8 s ± 10 µg	1.8 s ± 1 µg
Operating temperature range	+10 ... +30 °C	
Allowable temperature range	+5 ... +40 °C	
Weigh cell dimension	153 × 232 × 75 mm (base × height)	
Electronic PCB dimension	196 × 142 × 42 mm (base × height)	
Load receptor (with overload protection)	36 mm (diameter), weight of the load receptor is 13.5 ± 0.5 g	
Under floor load receptor	M3 thread	
Cable length weigh cell to electronics	2.8 m	
Power supply	TNG10 6971987; 115 230V _{AC} , +15 ... -20%, 48 - 60Hz	
Power supply (alternative)	15...26, optimal 15V (+15% - 10%); 0.5V _{PP} (Peak to Peak)	
Power consumption	9 VA (average)	3.75 VA (average)
Interface	USB-B, RS232C, software hardware handshake; No system power via RS232 connector	

Options | Accessories

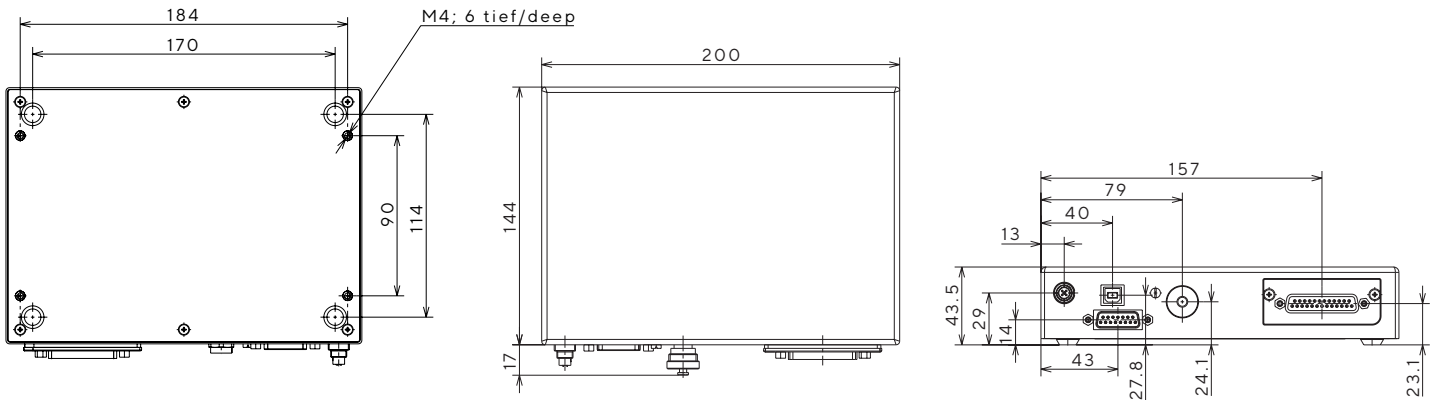
Windows configuration software for test and adjustment	Sartorius CAS Suite
Connection cable 25 9 RS232 RS232-USB	RS232 7357314 YCC01-USBM2
Connection cable USB A to USB B	buy local
Liquid-crystal display	YAC01CU
Pipette calibration set	YCP01WZA

- 1) the preload can be configured by using the Sartorius CAS Suite software; higher preload will reduce the weighing range
 2) depending on measurement equipment set-up and conditions;
 3) measuring time is the time in which the measured value is in the given range around the static end value; test weight is approx. 25% of the weighing range.

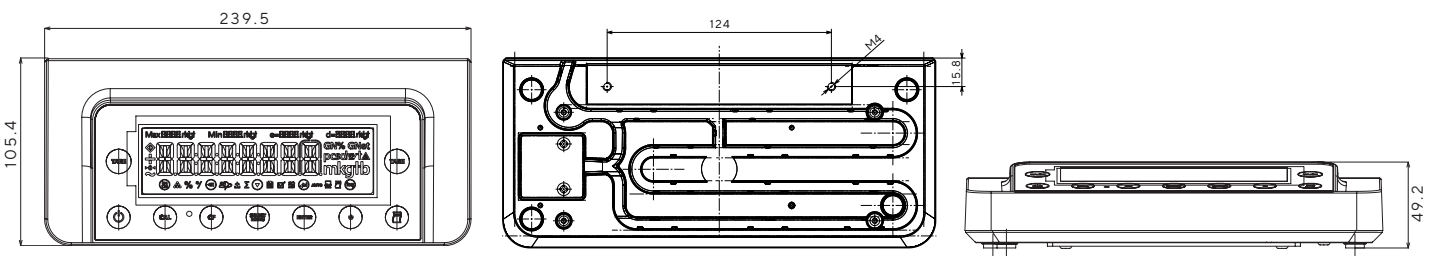
Weigh cell



Electronic box



Optional YAC01CU



Dimensions in mm

Germany

Sartorius Lab Instruments GmbH & Co. KG
Otto-Brenner-Strasse 20
37079 Goettingen
Phone +49 551 308 0

France & Suisse Romande

Phone +33 170 62 50 00

Finland & Baltics

Phone +358 9 755 951

Italy

Phone +39 0362 5557 11

U.K.

Phone +44 1372 737159

USA

Toll-free +1 800 635 2906

China


Phone +86 21 6878 2300

Japan

Phone +81 3 6478 5200

South Korea

Phone +82 31 622 5700

 For further contacts, visit
www.sartorius.com