

High Resolution

OEM weigh cells

WZA614-NC

WZA...	614-NC
Capacity	610 g
Readability	0.1 mg

The WZA-NC series is the successor of the well established WZ...CW-line. The products provide a readability of 0.1 mg for the weighing capacity of 610 g. The weighing system as well the electronic are designed for space sensitive applications in stainless steel housings.



The weigh cell consist of two parts:

- A monolithic weighing system in stainless steel IP44 housing
- Stainless steel electronic box, all connection via the front
- Force compensation technology system with a resolution of 0.1 mg
- Superb electronics for more than 6 Mio. step resolution
- Internal calibration weight for easy checks in automated environments
- Adjustable load receptor with overload protection, optional lift-off protection
- Fast warm-up by separation of weighing system and electronics
- USB/RS232C interface for configuration and data transfer
- Optional PC-software with menu setting, weigh data display and internal calibration functions

Technical Data



Electronic box



YAC01CU (optional)

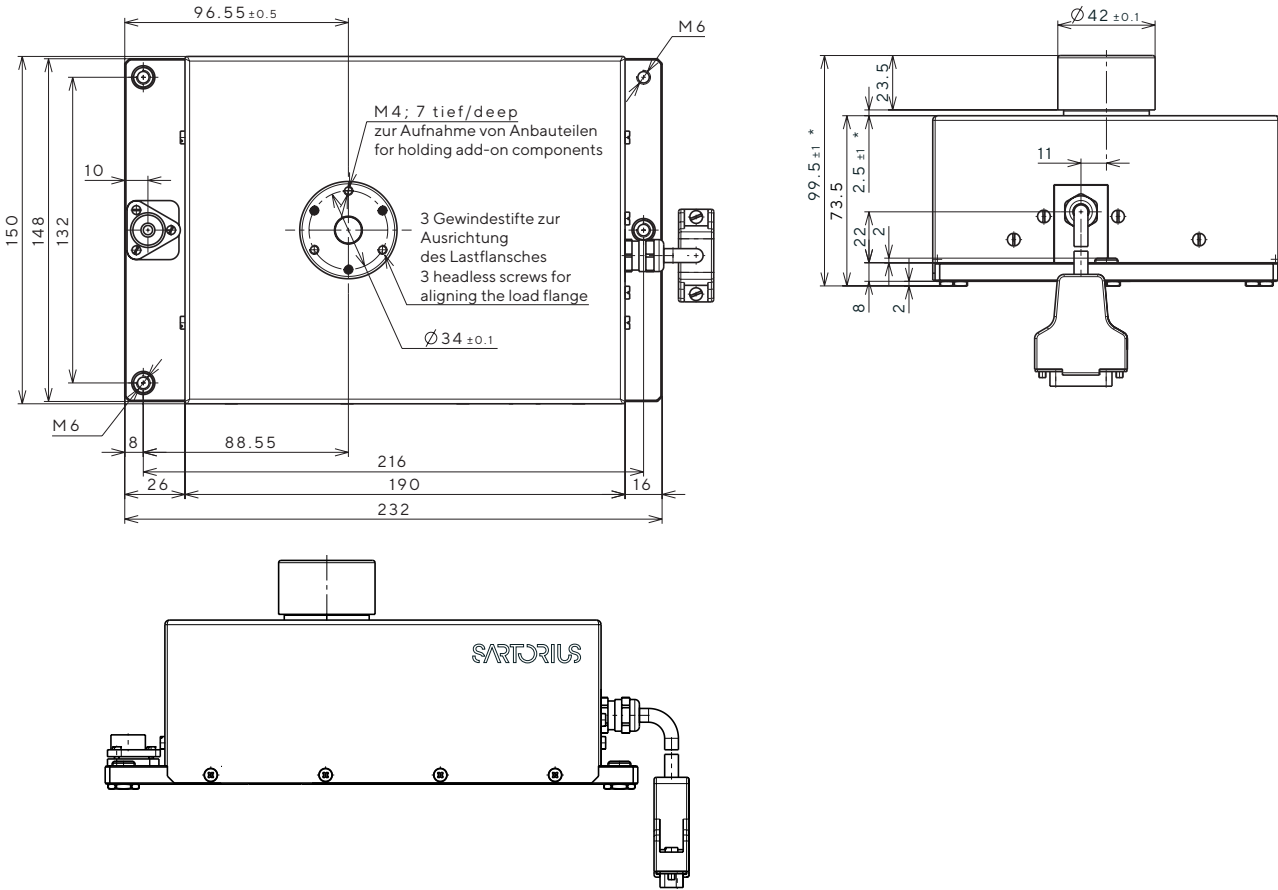
Model	WZA614-NC
Capacity	610 g
Readability	0.1 mg
Preload ¹⁾	90 g
Repeatability (standard deviation) ²⁾	≤± 0.2 mg
Linearity	≤± 0.5 mg
Measuring time ^{2) 3)}	1.5 s ± 0.1 mg
Operating temperature range	+10 ... +30 °C
Allowable temperature range	+5 ... +40 °C
Weigh cell dimension	150 × 232 × 99 mm (base × height)
Electronic PCB dimension	196 × 142 × 42 mm (base × height)
Load receptor (adjustable, with overload protection)	42 mm (diameter), 26 mm height above housing
Under floor load receptor	Not available
Cable length weigh cell to electronics	2.8 m
Power supply	TNG10 6971987; 115/230V _{AC} , +15 ... -20%, 48 - 60Hz
Power supply (alternative)	15...26, optimal 15V (+15% -10%); 0.5V _{PP} (Peak to Peak)
Power consumption	9 VA (average)
Interface	USB-B, RS232C, software hardware handshake; No system power via RS232 connector

Options | Accessories

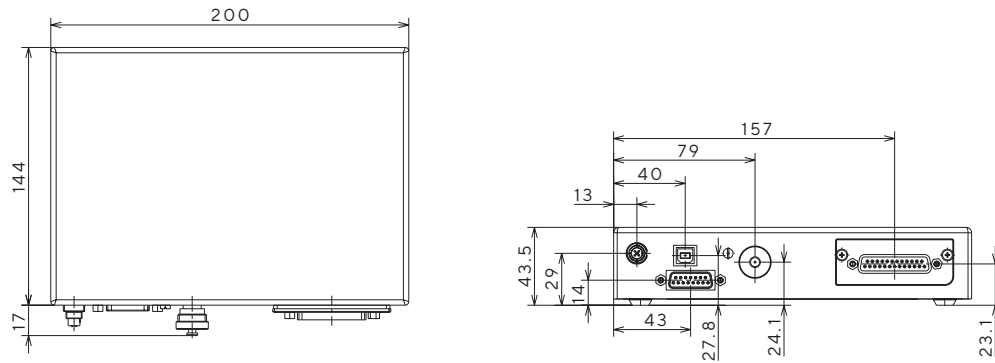
Windows configuration software for test and adjustment	Sartorius CAS Suite
Liquid-crystal display	YAC01CU

- 1) the preload can be configured by using the Sartorius CAS Suite software; higher preload will reduce the weighing range
- 2) depending on measurement equipment set-up and conditions;
- 3) measuring time is the time in which the measured value is in the given range around the static end value; test weight is approx. 25% of the weighing range.

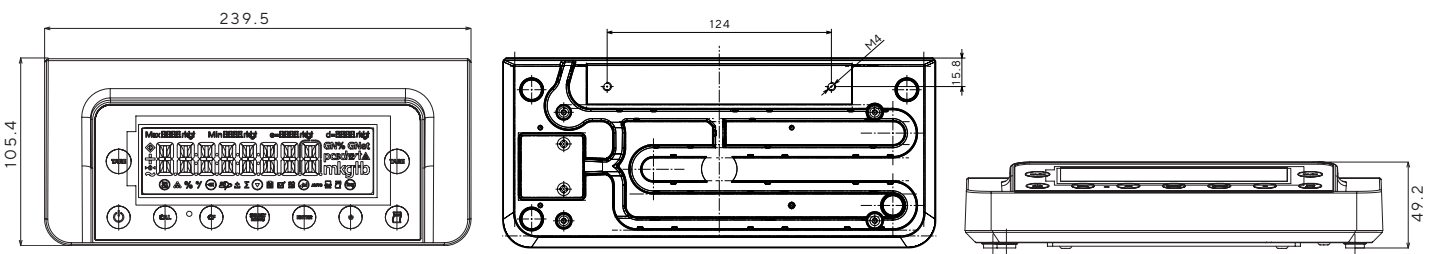
Weigh cell



Electronic box



Optional YAC01CU



Dimensions in mm

Germany

Sartorius Lab Instruments GmbH & Co. KG
Otto-Brenner-Strasse 20
37079 Goettingen
Phone +49 551 308 0

France & Suisse Romande

Phone +33 170 62 50 00

Finland & Baltics

Phone +358 9 755 951

Italy

Phone +39 0362 5557 11

U.K.

Phone +44 1372 737159

USA

Toll-free +1 800 635 2906

China


Phone +86 21 6878 2300

Japan

Phone +81 3 6478 5200

South Korea

Phone +82 31 622 5700

 For further contacts, visit
www.sartorius.com