

PMA Evolution

Model EVO1Y1

For Use in Zone 2

Hazardous Areas



Benefits

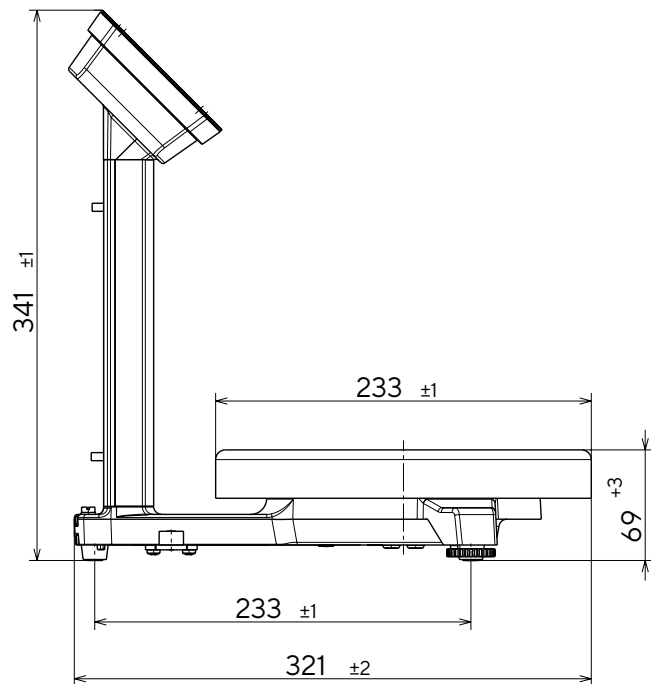
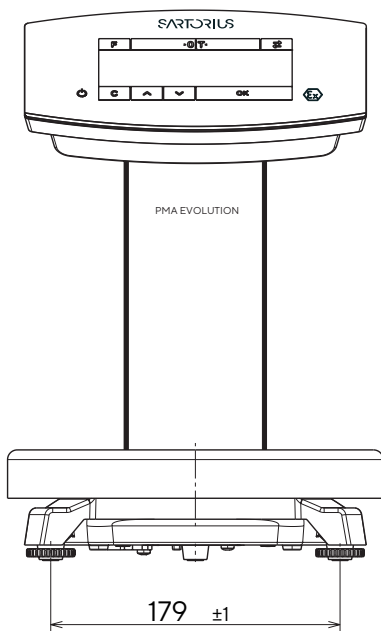
- One cable for power and data
- Integrated mixing module processes one formulation
- New high contrast display technology
- Glass sensor touch technology
- Multi-lock security function

Technical Specifications

Capacity	7,500 999.95 g
Readability	0.1 0.05 g
Tare range (subtractive)	-7,500 g
Weighing pan (Ø)	233 mm
Housing (W×D×H)	233×321×341 mm
Net weight	approx. 2.4 kg
External calibration weight	1, 2, 5 kg (class F2 or better)
Allowable operating temperature	5 ... 40 °C
Dust and water protection rating in accordance to EN 60529/IEC 60529	IP40
Power supply	via USB 2.0 or higher or power supply YEPS01-USB
Input voltage power consumption	5 V _{DC} 2 W

Approval	Ex zone 2
IECEX	Ex ic nA IIB T4 Gc
ATEX	II 3G Ex ic nA IIB T4 Gc
PCEC (CN)	Ex ic nA IIB T4 GC
DEKRA (JP)	Ex ic nA IIB T4 GC
Data output	USB Type B
Format	7-bit ASCII, 1 Start-bit, 1 or 2 Stop-Bits
Parity	Even, odd, no parity
Transmission rates	1,200 to 57,600 Bit/s
Handshake mode	Software, Hardware or None
Internal application	Integrated mixing module for one job Recalculation (correction of over-pours) Calculation by factor (0.25 – 5.0) Stand-alone recipe processing (absolute, additive) Dual range 0.05 g (up to 999.95 g) Hardware test and communication symbol

Technical Drawings



Accessories

Standard Accessories

USB cable, length 3 m (9.8 ft.)	YCC01-0040M3
---------------------------------	--------------

Optional Accessories

In-use cover for display (set of 10)	YDC03PMA10
In-use cover for column (set of 10)	YDC03PMA-CO10
In-use cover for weighing pan (set of 10)	YDC03PMA-WP10
USB power plug 5.2 V _{dc} 1400 mA	YEPS01-USB
AC-adapter set (US, EU, UK)	YEPS01-PS1
AC- adapter set (AU, ZA, BR, AR)	YEPS01-PS6
AC- adapter set (IN, KR, CN)	YEPS01-PS7
External calibration weight 1 kg (class F2)	YCW614-AC-00
External calibration weight 1 kg (class F2) with DAKKS certificate	YCW614-AC-02
External calibration weight 2 kg (class F2)	YCW624-AC-00
External calibration weight 2 kg (class F2) with DAKKS certificate	YCW624-AC-02
External calibration weight 5 kg (class F2)	YCW654-AC-00
External calibration weight 5 kg (class F2) with DAKKS certificate	YCW654-AC-02




EVO1Y1 rear view

Germany

Sartorius Lab Instruments GmbH & Co. KG
Otto-Brenner-Strasse 20
37079 Goettingen
Phone +49 551 308 0

USA

Sartorius Corporation
565 Johnson Avenue
Bohemia, NY 11716
Phone +1 631 254 4249
Toll-free +1 800 635 2906

 For further information, visit
www.sartorius.com