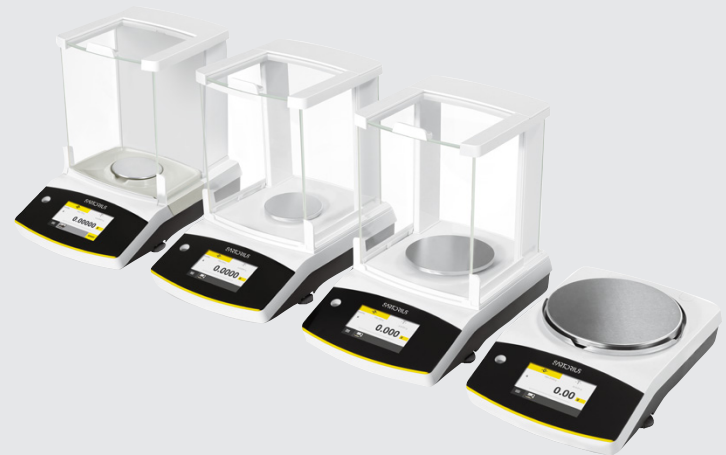


Quintix[®]

Laboratory Balances



Benefits

- PC-Direct Feature
- Automatic Internal Adjustment
- Top Performance
- Intuitive Operation
- Ergonomic Draft Shield

Product Information

The Sartorius Quintix[®] sets new benchmarks in every aspect for standard lab balances. A number of features make Your workflow much more efficient, such as fully automatic internal adjustment, direct data transfer, ergonomic style and, above all, the entirely new touchscreen user interface with built-in application programs.

The self-explanatory icons and plain-text prompts on the large touchscreen show you all the information you need to know for the procedure – no more, no less.

Technical Specifications

AC Adapter	
Sartorius AC adaptor module	YEPS01-15V0W with interchangeable country-specific plug-in AC adaptors
Primary	100 – 240 V~, -10% +10%, 50 – 60 Hz, 0.2 A
Secondary	15 V DC, ± 5%, 530 mA (max.) 8 Watt (max.): 0 to +40 °C and 15 V DC, ± 5%, 330 mA (max.) 5 Watt (max.): 0 to +50 °C
Other data	protection class II, in accordance with EN IEC 60950-1 up to 3000 m above sea level; IP40 as per EN IEC 60529

Balance	
Power supply	only via Sartorius AC adaptor module YEPS01-15V0W
Input voltage	12.0 – 15.0 V DC
Power consumption	2.0 W (typically) 4.5 W (typically), only for 125D-1x, 65-1x and 35-1x

Ambient Conditions	
The specifications apply when the following ambient conditions are in place:	
Environment	for indoor use only
Ambient temperature*	+10°C to +30°C
Operational capacity	guaranteed between +5°C and +45°C
Storage and shipping	-10°C to +60°C
Elevation	up to 3,000 m above sea level
Relative humidity**	15% to 80% for temperatures up to 31°C; non-condensing, decreasing linearly to 50% relative humidity at 40°C and 20% at 50°C
Safety of electrical equipment	in accordance with EN 61010-1 IEC 61010-1. Safety requirements for electrical equipment for mea- surement, control, and laboratory use – Part 1: General requirements
Electromagnetic compatibility	in accordance with EN 61326-1 IEC 61326-1. Electrical equipment for measurement, control, and laboratory use – EMC requirements - Part 1: General requirements
Defined immunity to interference	Suitable for use in industrial areas
Interference emission	Class B (suitable for use in residential areas and areas that are connected to a low voltage network that also supplies residential buildings). The device can therefore be used in both areas.

Balances verified for use in legal metrology comply with the requirements of Council Directive 2009 | 23 | EC, EN 45501:1992, and OIML R76:2006.

* For balances verified for use in legal metrology in accordance with EU requirements, refer to the information on the balance.

** For balances verified for use in legal metrology in accordance with EU requirements, the legal regulations apply.

Standard Equipment	
Levelling	Glass level indicator with air bubble for centering
Calibration	Internal calibration isoCAL, External calibration
Selectable weight units ¹⁾	Gram, kilogram, carat, pound, ounce, troy ounce, Hong Kong tael, Singapore tael, Taiwan tael, grain, pennyweights, milligram, parts per pound, China tael, mommes, Austrian carat, tola, baht, mesghal and Newton
Interface	mini USB <ul style="list-style-type: none"> ▪ Automatic recognition of Sartorius printer models YDP30 or YDP40 ▪ PC-direct data transfer to Microsoft® Windows programs ▪ Programmable interval for data output ▪ Data transfer protocols SBI, xBPI, table format, text format
Display	Touch screen with Sartorius graphical user interface
Standard built-in applications	Weighing, Density, Percentage, Check-weighing, Peak Hold, Counting, Unstable Conditions Animal weighing

Standard Equipment	
Special built-in lab applications	Mixing, Components, Statistics, Conversion
Languages	English, French, German, Hungarian, Italian, Polish, Portuguese, Russian, Spanish, Turkish, Chinese, Japanese, Korean
Protection	<ul style="list-style-type: none"> ▪ Chemical resistant finish of the top housing ▪ Glass parts of the draft shield are coated to reduce electrostatic influences ▪ In-use cover ▪ Dust cover for balances with draft shield
Password protection	Supervisor lock for protection against unintentional changes
Anti-theft lock	Kensington lock and lockdown capability for cable or chain

¹⁾ Limited for verified models



Models with internal adjustment feature, without approval

Model		125D-1x ¹⁾	65-1x ¹⁾	35-1x ¹⁾	224-1x ¹⁾	124-1x ¹⁾	64-1x ¹⁾
Readability Scale interval (d)	mg	0.01 0.1	0.01	0.01	0.1	0.1	0.1
Maximum capacity (Max)	g	60 120	60	30	220	120	60
Weighing system		EMC	EMC	EMC	EMC	EMC	EMC
Repeatability							
At 5% load, typical value	± mg	0.02 0.07	0.02	0.02	0.08	0.08	0.08
At approx. maximum load, typical value	± mg	0.03 0.07	0.03	0.03	0.1	0.1	0.1
Linearity deviation							
Limits	± mg	0.1 0.1	0.1	0.1	0.2	0.2	0.2
Typical value	± mg	0.06	0.06	0.06	0.06	0.06	0.06
Sensitivity drift between + 10°C and + 30°C	± ppm/K	1	1	1	1.5	1.5	1.5
Tare maximum capacity (subtractive)		< 100% of maximum capacity					
isoCAL:							
Temperature change	K	1.5	1.5	1.5	1.5	1.5	1.5
Time interval	h	4	4	4	4	4	4
For models with approval:							
Accuracy class		-	-	-	-	-	-
Type ²⁾		-	-	-	-	-	-
Verification scale interval (e)	mg	-	-	-	-	-	-
Minimum load (Min)	mg	-	-	-	-	-	-
“Minimum initial weighing according to USP (United States Pharmacopeia), Chap. 41”							
Optimum minimum initial weighing	g	0.0082	0.0082	0.0082	0.082	0.082	0.082
Typical minimum initial weighing	g	0.04	0.04	0.04	0.16	0.16	0.16
Typical measurement time	s	≤ 6.0 2.0	≤ 6.0	≤ 6.0	≤ 2.0	≤ 2.0	≤ 2.0
Typical stabilization time	s	≤ 4.0 1.5	≤ 4.0	≤ 4.0	≤ 1.5	≤ 1.5	≤ 1.5
Recommended calibration weight							
External calibrated test weight	g	100	50	20	200	100	50
Accuracy class in accordance with OIML R111-1		E2	E2	E2	E2	E2	E2
Weighing pan size	mm	Ø 80	Ø 80	Ø 80	Ø 90	Ø 90	Ø 90
Weighing chamber height*	mm	218	218	218	209	209	209
Net weight, approx.	kg	8.80	8.80	8.80	5.70	5.70	5.70
Gross weight, approx.	kg	10.90	10.90	10.90	7.40	7.40	7.40
IP protection class		IP43	IP43	IP43			

* upper edge of the weighing pan to the lower edge of the upper draft shield panel

¹⁾ Country-specific marking in model, x =

x = S: Standard balances without country-specific additions

x = SAR: Standard balances with country-specific additions for Argentina

x = SJP: Standard balances with country-specific additions for Japan

x = SKR: Standard balances with country-specific additions for South Korea

Model		613-1x ¹⁾	513-1x ¹⁾	313-1x ¹⁾	213-1x ¹⁾	6102-1x ¹⁾	5102-1x ¹⁾
Readability Scale interval (d)	mg	1	1	1	1	10	10
Maximum capacity (Max)	g	610	510	310	210	6,100	5,100
Weighing system		EMC	EMC	EMC	EMC	EMC	EMC
Repeatability							
At 5% load, typical value	± mg	0.5	0.5	0.5	0.5	5	5
At approx. maximum load, typical value	± mg	1	1	1	1	10	10
Linearity deviation							
Limits	± mg	2	2	2	2	20	20
Typical value	± mg	0.6	0.6	0.6	0.6	6	6
Sensitivity drift between + 10°C and + 30°C	± ppm/K	2	2	2	2	2	2
Tare maximum capacity (subtractive)		<100% of maximum capacity					
isoCAL:							
Temperature change	K	2	2	2	2	2	2
Time interval	h	6	6	6	6	6	6
For models with approval:							
Accuracy class		-	-	-	-	-	-
Type ²⁾		-	-	-	-	-	-
Verification scale interval (e)	mg	-	-	-	-	-	-
Minimum load (Min)	mg	-	-	-	-	-	-
"Minimum initial weighing according to USP (United States Pharmacopeia), Chap. 41"							
Optimum minimum initial weighing	g	0.82	0.82	0.82	0.82	8.2	8.2
Typical minimum initial weighing	g	1	1	1	1	10	10
Typical measurement time	s	≤1.5	≤1.5	≤1.5	≤1.5	≤1.0	≤1.0
Typical stabilization time	s	≤1.0	≤1.0	≤1.0	≤1.0	≤0.9	≤0.9
Recommended calibration weight							
External calibrated test weight	g	500	500	200	200	5,000	5,000
Accuracy class in accordance with OIML R111-1		F1	F1	F1	F1	F1	F1
Weighing pan size	mm	Ø 120	Ø 120	Ø 120	Ø 120	Ø 180	Ø 180
Weighing chamber height*	mm	209	209	209	209	-	-
Net weight, approx.	kg	5.70	5.70	5.70	5.70	5.90	5.90
Gross weight, approx.	kg	7.40	7.40	7.40	7.40	6.70	6.70
IP protection class							

Models with internal adjustment feature, without approval

Model		3102-1x ¹⁾	2102-1x ¹⁾	1102-1x ¹⁾	612-1x ¹⁾	412-1x ¹⁾	6101-1x ¹⁾
Readability Scale interval (d)	mg	10	10	10	10	10	100
Maximum capacity (Max)	g	3,100	2,100	1,100	610	410	6,100
Weighing system		EMC	Strain gauge	Strain gauge	Strain gauge	Strain gauge	Strain gauge
Repeatability							
At 5% load, typical value	± mg	5	5	5	5	5	50
At approx. maximum load, typical value	± mg	10	10	10	10	10	100
Linearity deviation							
Limits	± mg	20	20	20	20	20	300
Typical value	± mg	6	6	6	6	6	100
Sensitivity drift between + 10°C and + 30°C	± ppm/K	2	3.5	3.5	3.5	3.5	7
Tare maximum capacity (subtractive)		< 100% of maximum capacity					
isoCAL:							
Temperature change	K	2	2	2	2	2	2
Time interval	h	6	6	6	6	6	6
For models with approval:							
Accuracy class		-	-	-	-	-	-
Type ²⁾		-	-	-	-	-	-
Verification scale interval (e)	mg	-	-	-	-	-	-
Minimum load (Min)	mg	-	-	-	-	-	-
"Minimum initial weighing according to USP (United States Pharmacopeia), Chap. 41"							
Optimum minimum initial weighing	g	8.2	8.2	8.2	8.2	8.2	82
Typical minimum initial weighing	g	10	10	10	10	10	100
Typical measurement time	s	≤ 1.0	≤ 1.0	≤ 1.0	≤ 1.0	≤ 1.0	≤ 1.0
Typical stabilization time	s	≤ 0.9	≤ 0.9	≤ 0.9	≤ 0.9	≤ 0.9	≤ 0.9
Recommended calibration weight							
External calibrated test weight	g	2,000	2,000	1,000	500	200	5,000
Accuracy class in accordance with OIML R111-1		F1	F1	F1	F2	F2	F2
Weighing pan size	mm	Ø 180	Ø 180	Ø 180	Ø 180	Ø 180	Ø 180
Weighing chamber height*	mm	-	-	-	-	-	-
Net weight, approx.	kg	5.90	5.30	5.30	5.30	5.30	5.90
Gross weight, approx.	kg	6.70	6.10	6.10	6.10	6.10	6.70
IP protection class							

* upper edge of the weighing pan to the lower edge of the upper draft shield panel

¹⁾ Country-specific marking in model, x =

x = S: Standard balances without country-specific additions

x = SAR: Standard balances with country-specific additions for Argentina

x = SJP: Standard balances with country-specific additions for Japan

x = SKR: Standard balances with country-specific additions for South Korea

Model		5101-1x ¹⁾	2101-1x ¹⁾	6100-1x ¹⁾	5100-1x ¹⁾
Readability Scale interval (d)	mg	100	100	1,000	1,000
Maximum capacity (Max)	g	5,100	2,100	6,100	5,100
Weighing system		Strain gauge	Strain gauge	Strain gauge	Strain gauge
Repeatability					
At 5% load, typical value	± mg	50	50	500	500
At approx. maximum load, typical value	± mg	100	100	1,000	1,000
Linearity deviation					
Limits	± mg	300	300	1,000	1,000
Typical value	± mg	100	100	600	600
Sensitivity drift between + 10°C and + 30°C	± ppm/K	7	7	7	7
Tare maximum capacity (subtractive)		< 100% of maximum capacity			
isoCAL:					
Temperature change	K	2	2	2	2
Time interval	h	6	6	6	6
For models with approval:					
Accuracy class		-	-	-	-
Type ²⁾		-	-	-	-
Verification scale interval (e)	mg	-	-	-	-
Minimum load (Min)	mg	-	-	-	-
"Minimum initial weighing according to USP (United States Pharmacopeia), Chap. 41"					
Optimum minimum initial weighing	g	82	82	820	820
Typical minimum initial weighing	g	100	100	1,000	1,000
Typical measurement time	s	≤ 1.0	≤ 1.0	≤ 1.0	≤ 1.0
Typical stabilization time	s	≤ 0.9	≤ 0.9	≤ 0.9	≤ 0.9
Recommended calibration weight					
External calibrated test weight	g	5,000	2,000	5,000	5,000
Accuracy class in accordance with OIML R111-1		F2	F2	F2	F2
Weighing pan size	mm	Ø 180	Ø 180	Ø 180	Ø 180
Weighing chamber height*	mm	-	-	-	-
Net weight, approx.	kg	5.90	5.90	5.90	5.90
Gross weight, approx.	kg	6.70	6.70	6.70	6.70
IP protection class					

Models with internal adjustment feature, with approval

Model		125D-1x ¹⁾	65-1x ¹⁾	35-1x ¹⁾	224-1x ¹⁾	124-1x ¹⁾	64-1x ¹⁾
Readability Scale interval (d)	mg	0.01 0.1	0.01	0.01	0.1	0.1	0.1
Maximum capacity (Max)	g	60 120	60	30	220	120	60
Weighing system		EMC	EMC	EMC	EMC	EMC	EMC
Repeatability							
At 5% load, typical value	± mg	0.02 0.07	0.02	0.02	0.08	0.08	0.08
At approx. maximum load, typical value	± mg	0.03 0.07	0.03	0.03	0.1	0.1	0.1
Linearity deviation							
Limits	± mg	0.1 0.1	0.1	0.1	0.2	0.2	0.2
Typical value	± mg	0.06	0.06	0.06	0.06	0.06	0.06
Sensitivity drift between + 10°C and + 30°C	± ppm/K	1	1	1	1.5	1.5	1.5
Tare maximum capacity (subtractive)		< 100% of maximum capacity					
isoCAL:							
Temperature change	K	1.5	1.5	1.5	1.5	1.5	1.5
Time interval	h	4	4	4	4	4	4
For models with approval:							
Accuracy class		I	I	I	I	I	I
Type ²⁾		SQP-F	SQP-F	SQP-F	SQP-A	SQP-A	SQP-A
Verification scale interval (e)	mg	1	1	1	1	1	1
Minimum load (Min)	mg	1	1	1	10	10	10
"Minimum initial weighing according to USP (United States Pharmacopeia), Chap. 41"							
Optimum minimum initial weighing	g	0.0082	0.0082	0.0082	0.082	0.082	0.082
Typical minimum initial weighing	g	0.04	0.04	0.04	0.16	0.16	0.16
Typical measurement time	s	≤ 6.0 2.0	≤ 6.0	≤ 6.0	≤ 2.0	≤ 2.0	≤ 2.0
Typical stabilization time	s	≤ 4.0 1.5	≤ 4.0	≤ 4.0	≤ 1.5	≤ 1.5	≤ 1.5
Recommended calibration weight							
External calibrated test weight	g	100	50	20	200	100	50
Accuracy class in accordance with OIML R111-1		E2	E2	E2	E2	E2	E2
Weighing pan size	mm	Ø 80	Ø 80	Ø 80	Ø 90	Ø 90	Ø 90
Weighing chamber height*	mm	218	218	218	209	209	209
Net weight, approx.	kg	8.80	8.80	8.80	5.70	5.70	5.70
Gross weight, approx.	kg	10.90	10.90	10.90	7.40	7.40	7.40
IP protection class		IP43	IP43	IP43			

* upper edge of the weighing pan to the lower edge of the upper draft shield panel

¹⁾ Country-specific marking in model, x =

x = CN: Balances with approval for China

x = CCH: Conformity-assessed balances with EU type examination certificate only for Switzerland

x = CEU: Conformity-assessed balances with EU type examination certificate without country-specific additions

x = CFR: Conformity-assessed balances with EU type examination certificate only for France

x = CIT: Conformity-assessed balances with EU type examination certificate only for Italy

Model		613-1x ¹⁾	513-1x ¹⁾	313-1x ¹⁾	213-1x ¹⁾	6102-1x ¹⁾	5102-1x ¹⁾
Readability Scale interval (d)	mg	1	1	1	1	10	10
Maximum capacity (Max)	g	610	510	310	210	6,100	5,100
Weighing system		EMC	EMC	EMC	EMC	EMC	EMC
Repeatability							
At 5% load, typical value	± mg	0.5	0.5	0.5	0.5	5	5
At approx. maximum load, typical value	± mg	1	1	1	1	10	10
Linearity deviation							
Limits	± mg	2	2	2	2	20	20
Typical value	± mg	0.6	0.6	0.6	0.6	6	6
Sensitivity drift between + 10°C and + 30°C	± ppm/K	2	2	2	2	2	2
Tare maximum capacity (subtractive)		< 100% of maximum capacity					
isoCAL:							
Temperature change	K	2	2	2	2	2	2
Time interval	h	6	6	6	6	6	6
For models with approval:							
Accuracy class		II	II	II	II	II	II
Type ²⁾		SQP-B	SQP-B	SQP-B	SQP-B	SQP-C	SQP-C
Verification scale interval (e)	mg	10	10	10	10	100	100
Minimum load (Min)	mg	20	20	20	20	500	500
“Minimum initial weighing according to USP (United States Pharmacopeia), Chap. 41”							
Optimum minimum initial weighing	g	0.82	0.82	0.82	0.82	8.2	8.2
Typical minimum initial weighing	g	1	1	1	1	10	10
Typical measurement time	s	≤ 1.5	≤ 1.5	≤ 1.5	≤ 1.5	≤ 1.0	≤ 1.0
Typical stabilization time	s	≤ 1.0	≤ 1.0	≤ 1.0	≤ 1.0	≤ 0.9	≤ 0.9
Recommended calibration weight							
External calibrated test weight	g	500	500	200	200	5,000	5,000
Accuracy class in accordance with OIML R111-1		F1	F1	F1	F1	F1	F1
Weighing pan size	mm	Ø 120	Ø 120	Ø 120	Ø 120	Ø 180	Ø 180
Weighing chamber height*	mm	209	209	209	209	-	-
Net weight, approx.	kg	5.70	5.70	5.70	5.70	5.90	5.90
Gross weight, approx.	kg	7.40	7.40	7.40	7.40	6.70	6.70
IP protection class							

x = OBR: Balances with approval for Brazil

x = OIN: Balances with approval for India

x = OJP: Balances with approval for Japan

x = ORU: Balances with approval for Russ

²⁾ All models with x = CN: type “SQP”

Models with internal adjustment feature, with approval

Model		3102-1x ¹⁾	2102-1x ¹⁾	1102-1x ¹⁾	612-1x ¹⁾	6101-1x ¹⁾	5101-1x ¹⁾
Readability Scale interval (d)	mg	10	10	10	10	100	100
Maximum capacity (Max)	g	3,100	2,100	1,100	610	6,100	5,100
Weighing system		EMC	EMC	EMC	EMC	Strain gauge	Strain gauge
Repeatability							
At 5% load, typical value	± mg	5	5	5	5	50	50
At approx. maximum load, typical value	± mg	10	10	10	10	100	100
Linearity deviation							
Limits	± mg	20	20	20	20	300	300
Typical value	± mg	6	6	6	6	100	100
Sensitivity drift between + 10°C and + 30°C	± ppm/K	2	2	2	2	7	7
Tare maximum capacity (subtractive)		< 100% of maximum capacity					
isoCAL:							
Temperature change	K	2	2	2	2	2	2
Time interval	h	6	6	6	6	6	6
For models with approval:							
Accuracy class		II	II	II	II	II	II
Type ²⁾		SQP-C	SQP-D	SQP-D	SQP-D	SQP-E	SQP-E
Verification scale interval (e)	mg	100	100	100	100	1,000	1,000
Minimum load (Min)	mg	500	500	500	500	5,000	5,000
"Minimum initial weighing according to USP (United States Pharmacopeia), Chap. 41"							
Optimum minimum initial weighing	g	8.2	8.2	8.2	8.2	82	82
Typical minimum initial weighing	g	10	10	10	10	100	100
Typical measurement time	s	≤ 1.0	≤ 1.0	≤ 1.0	≤ 1.0	≤ 1.0	≤ 1.0
Typical stabilization time	s	≤ 0.9	≤ 0.9	≤ 0.9	≤ 0.9	≤ 0.9	≤ 0.9
Recommended calibration weight							
External calibrated test weight	g	2,000	2,000	1,000	500	5,000	5,000
Accuracy class in accordance with OIML R111-1		F1	F1	F1	F2	F2	F2
Weighing pan size	mm	Ø 180	Ø 180	Ø 180	Ø 180	Ø 180	Ø 180
Weighing chamber height*	mm	-	-	-	-	-	-
Net weight, approx.	kg	5.90	5.90	5.90	5.90	5.90	5.90
Gross weight, approx.	kg	6.70	6.70	6.70	6.70	6.70	6.70
IP protection class							

* upper edge of the weighing pan to the lower edge of the upper draft shield panel

¹⁾ Country-specific marking in model, x =

x = CN: Balances with approval for China

x = CCH: Conformity-assessed balances with EU type examination certificate only for Switzerland

x = CEU: Conformity-assessed balances with EU type examination certificate without country-specific additions

x = CFR: Conformity-assessed balances with EU type examination certificate only for France

x = CIT: Conformity-assessed balances with EU type examination certificate only for Italy

Model		6100-1x ¹⁾	5100-1x ¹⁾
Readability Scale interval (d)	mg	1,000	1,000
Maximum capacity (Max)	g	6,100	5,100
Weighing system		Strain gauge	Strain gauge
Repeatability			
At 5% load, typical value	± mg	500	500
At approx. maximum load, typical value	± mg	1,000	1,000
Linearity deviation			
Limits	± mg	1,000	1,000
Typical value	± mg	600	600
Sensitivity drift between + 10°C and + 30°C	± ppm/K	7	7
Tare maximum capacity (subtractive)		< 100% of maximum capacity	
isoCAL:			
Temperature change	K	2	2
Time interval	h	6	6
For models with approval:			
Accuracy class		II	II
Type ²⁾		SQP-E	SQP-E
Verification scale interval (e)	mg	1,000	1,000
Minimum load (Min)	mg	50,000	50,000
“Minimum initial weighing according to USP (United States Pharmacopeia), Chap. 41”			
Optimum minimum initial weighing	g	820	820
Typical minimum initial weighing	g	1,000	1,000
Typical measurement time	s	≤ 1.0	≤ 1.0
Typical stabilization time	s	≤ 0.9	≤ 0.9
Recommended calibration weight			
External calibrated test weight	g	5,000	5,000
Accuracy class in accordance with OIML R111-1		F2	F2
Weighing pan size	mm	Ø 180	Ø 180
Weighing chamber height*	mm	-	-
Net weight, approx.	kg	5.90	5.90
Gross weight, approx.	kg	6.70	6.70
IP protection class			

x = OBR: Balances with approval for Brazil

x = OIN: Balances with approval for India

x = OJP: Balances with approval for Japan

x = ORU: Balances with approval for Russ

²⁾ All models with x = CN: type “SQP”

Optional Accessories

Printers and Communications

Premium GLP Laboratory Printer	YDP30
<ul style="list-style-type: none"> Printer paper for GLP laboratory printer Endless labels for GLP laboratory printer 	69Y03285 69Y03286
Standard Laboratory Printer	YDP40
<ul style="list-style-type: none"> Printer paper for standard laboratory printer 	69Y03287
Data communication cable, USB USB A	YCC04-D09
Data communication cable, mini USB RS232, 9-pin	YCC03-D09
Data communication cable, mini USB RS232, 25-pin	YCC03-D25

General

Battery Pack for Standard Lab Balances	YRB11Z
Draft shield for balances with a readability of 10 mg	YDS01SQP
Round glass draft shield for balances with a readability of 1 mg	YDS02SQP
In-use cover for balances with a readability of 0.01 mg	6960SE05
In-use cover for balances with a readability of 0.1 mg 1 mg	6960SE01
In-use cover for balances with a readability of 10 mg	6960SE02
Dust cover for balances with a readability of 0.1 mg 1 mg	6960SE03
Dust cover for balances with a readability of 0.01 mg	6960SE04

Weighing Pans (for balances design 1)

Weighing pan, 80 mm, slotted	YSP01SQP
Weighing pan, 90 mm; includes conversion kit	YWP01SQP
Filter weighing pan, 130 mm	YFW01SQP

Density Determination

Density kit for balances with a readability of 0.01 mg	VF4601
Density kit for balances with a readability of 0.1 mg 1 mg	YDK03
Density kit for balances with a readability of 10 mg	YDK04

Calibration Weights

Calibration for lab balance model 125D; 65; 64	YCW452-AC-02
<ul style="list-style-type: none"> Proof Line knob weight 50 g, OIML class E2, with DAkkS certificate 	
Calibration for lab balance model 224	YCW522-AC-02
<ul style="list-style-type: none"> Proof Line knob weight 200 g, OIML class E2, with DAkkS certificate 	
Calibration for lab balance model 124	YCW512-AC-02
<ul style="list-style-type: none"> Proof Line knob weight 100 g, OIML class E2, with DAkkS certificate 	
Calibration for lab balance model 35	YCW422-AC-02
<ul style="list-style-type: none"> Proof Line knob weight 20 g, OIML class E2, with DAkkS certificate 	
Calibration for lab balance model 613; 513	YCW553-AC-02
<ul style="list-style-type: none"> Proof Line knob weight 500 g, OIML class F1, with DAkkS certificate 	
Calibration for lab balance model 313; 213	YCW523-AC-02
<ul style="list-style-type: none"> Proof Line knob weight 200 g, OIML class F1, with DAkkS certificate 	
Calibration for lab balance model 6102; 5102	YCW653-AC-02
<ul style="list-style-type: none"> Proof Line knob weight 5 kg, OIML class F1, with DAkkS certificate 	
Calibration for lab balance model 3102; 2102	YCW623-AC-02
<ul style="list-style-type: none"> Proof Line knob weight 2 kg, OIML class F1, with DAkkS certificate 	
Calibration for lab balance model 1102	YCW613-AC-02
<ul style="list-style-type: none"> Proof Line knob weight 1 kg, OIML class F1, with DAkkS certificate 	
Calibration for lab balance model 612	YCW554-AC-02
<ul style="list-style-type: none"> Proof Line knob weight 500 g, OIML class F2, with DAkkS certificate 	
Calibration for lab balance model 412	YCW524-AC-02
<ul style="list-style-type: none"> Proof Line knob weight 200 g, OIML class F2, with DAkkS certificate 	
Calibration for lab balance model 6101; 5101; 6100; 5100	YCW654-AC-02
<ul style="list-style-type: none"> Proof Line knob weight 5 kg, OIML class F2, with DAkkS certificate 	
Calibration for lab balance model 2101	YCW624-AC-02
<ul style="list-style-type: none"> Proof Line knob weight 2 kg, OIML class F2, with DAkkS certificate 	

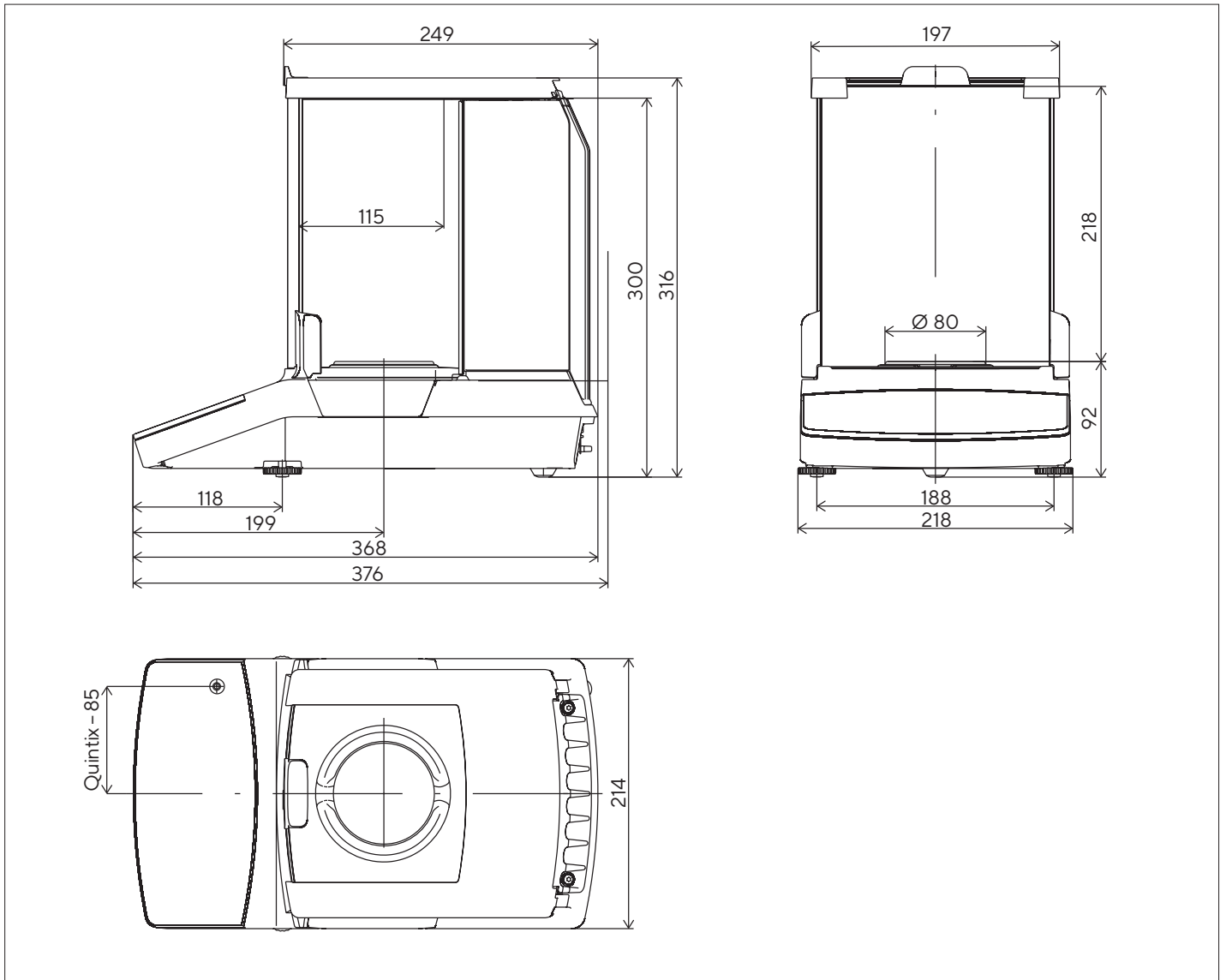


Calibration Weights

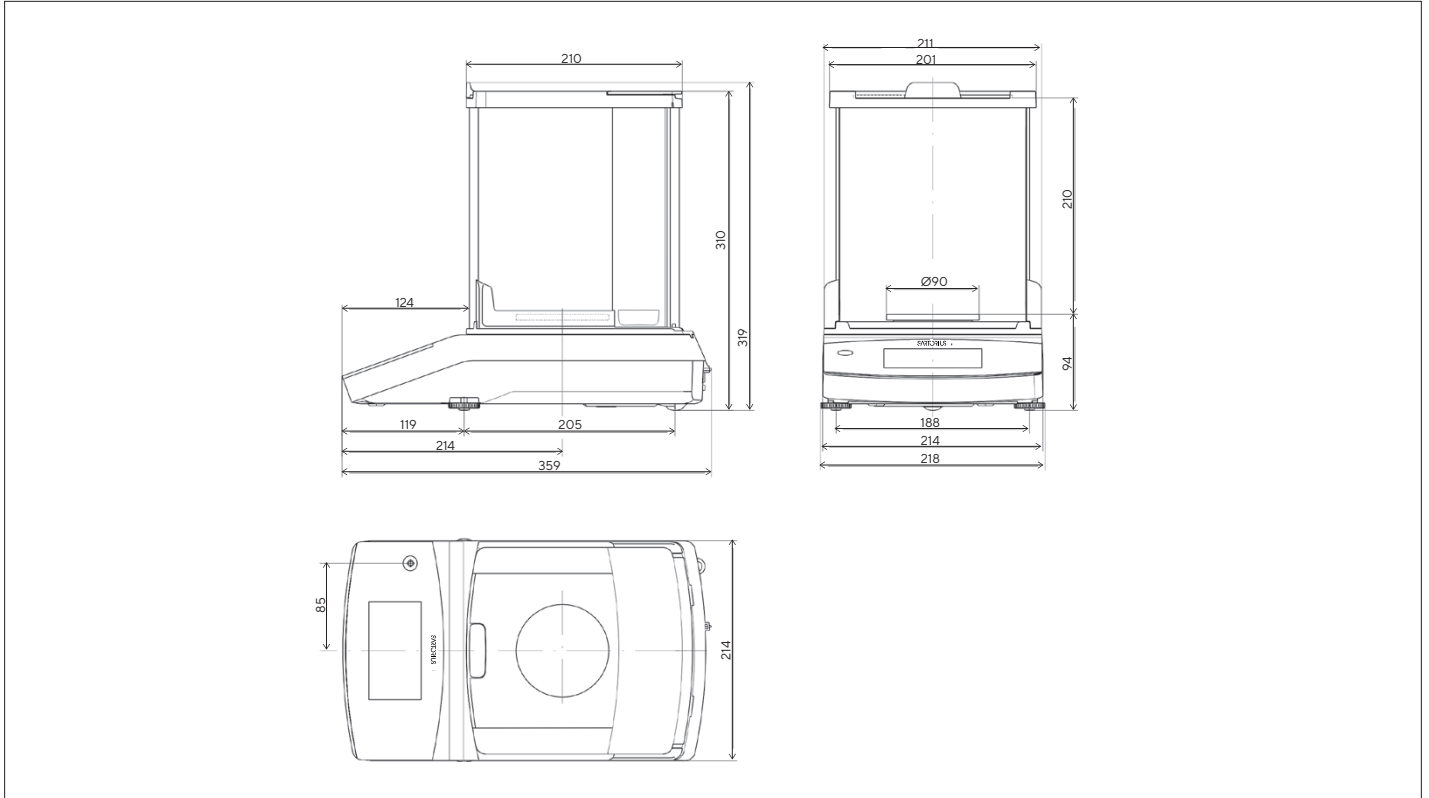
YDP30, Premium GLP Laboratory Printer

Technical Drawings

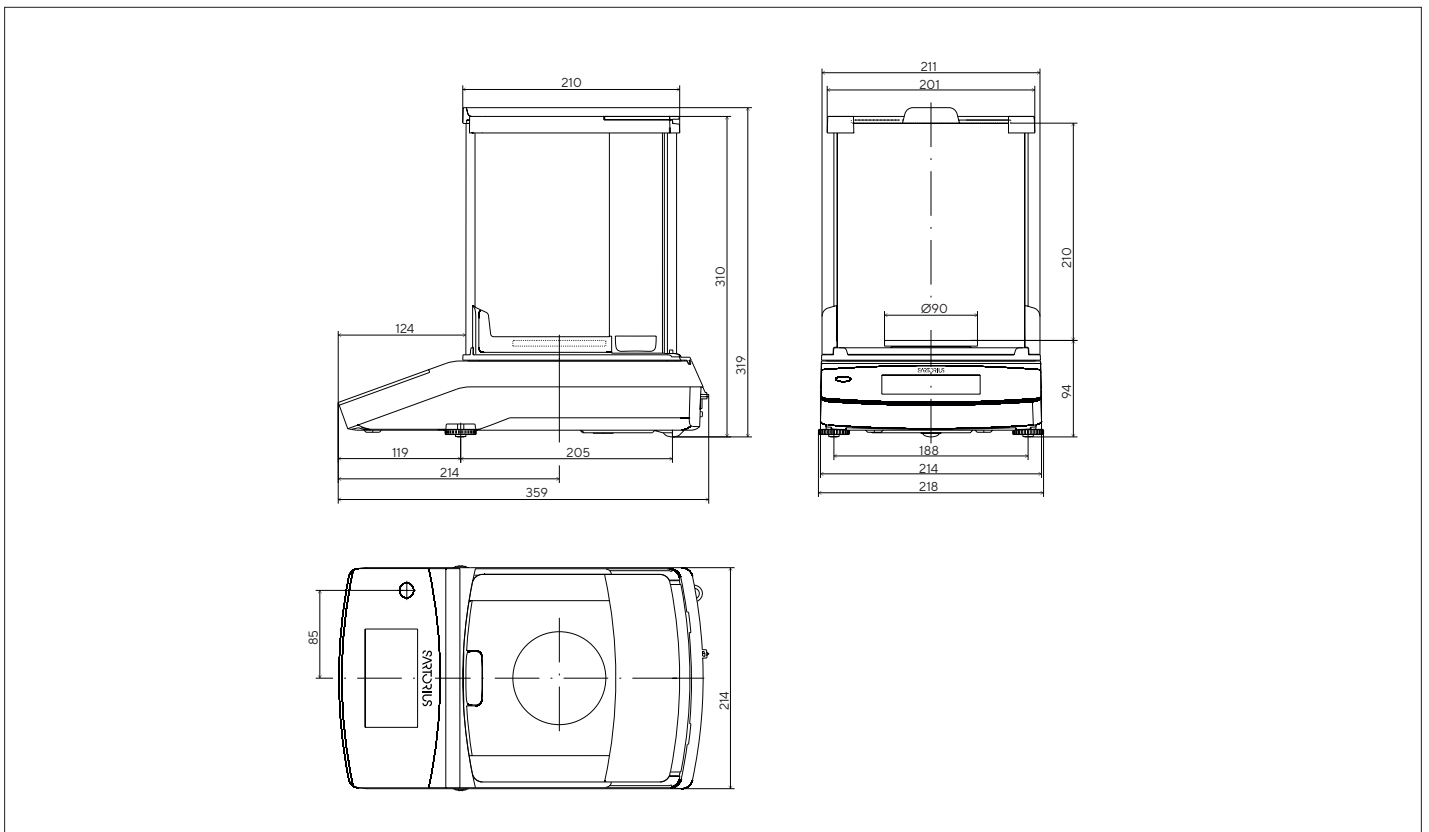
Models with a readability of 0.01 mm, in mm



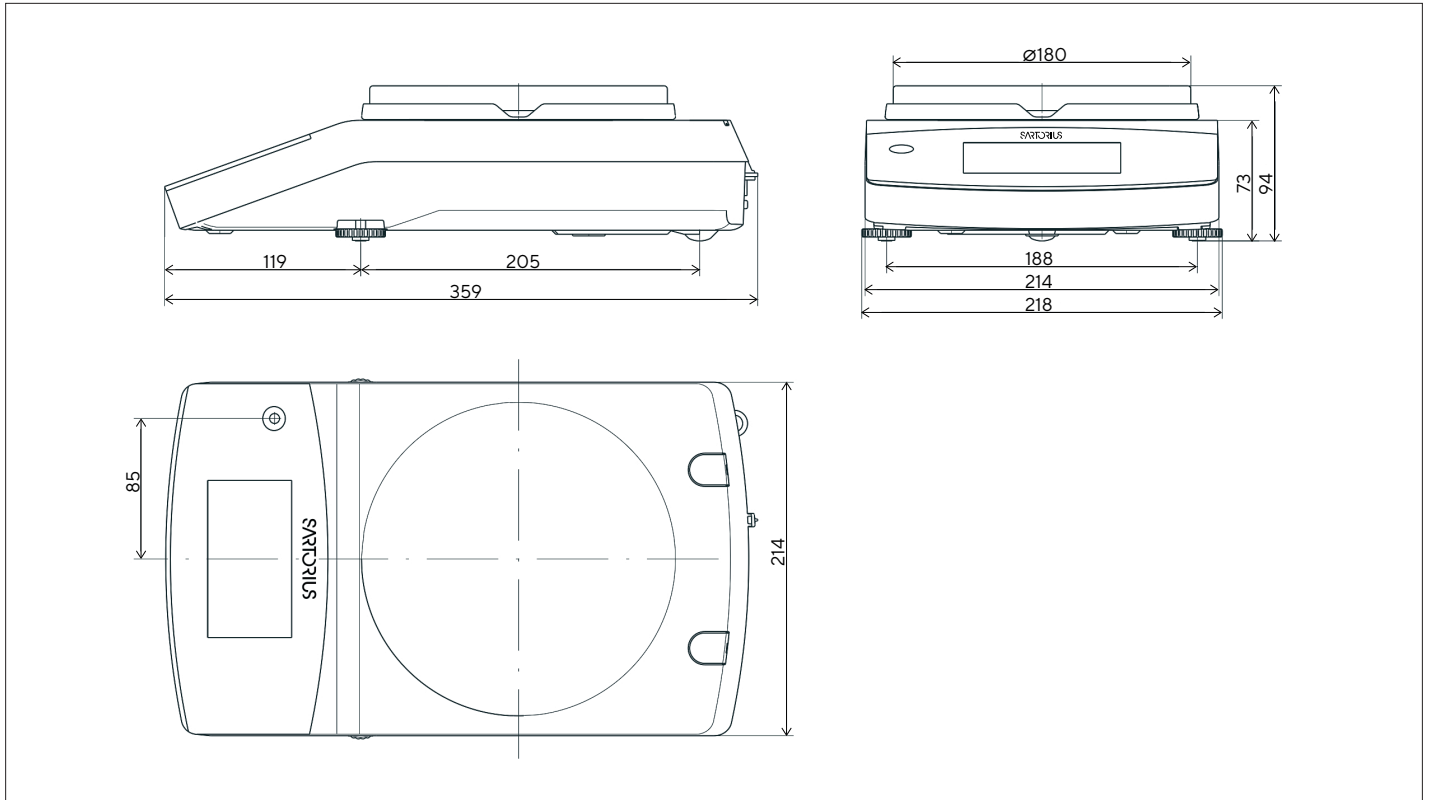
Models with a readability of 0.1 mg, in mm



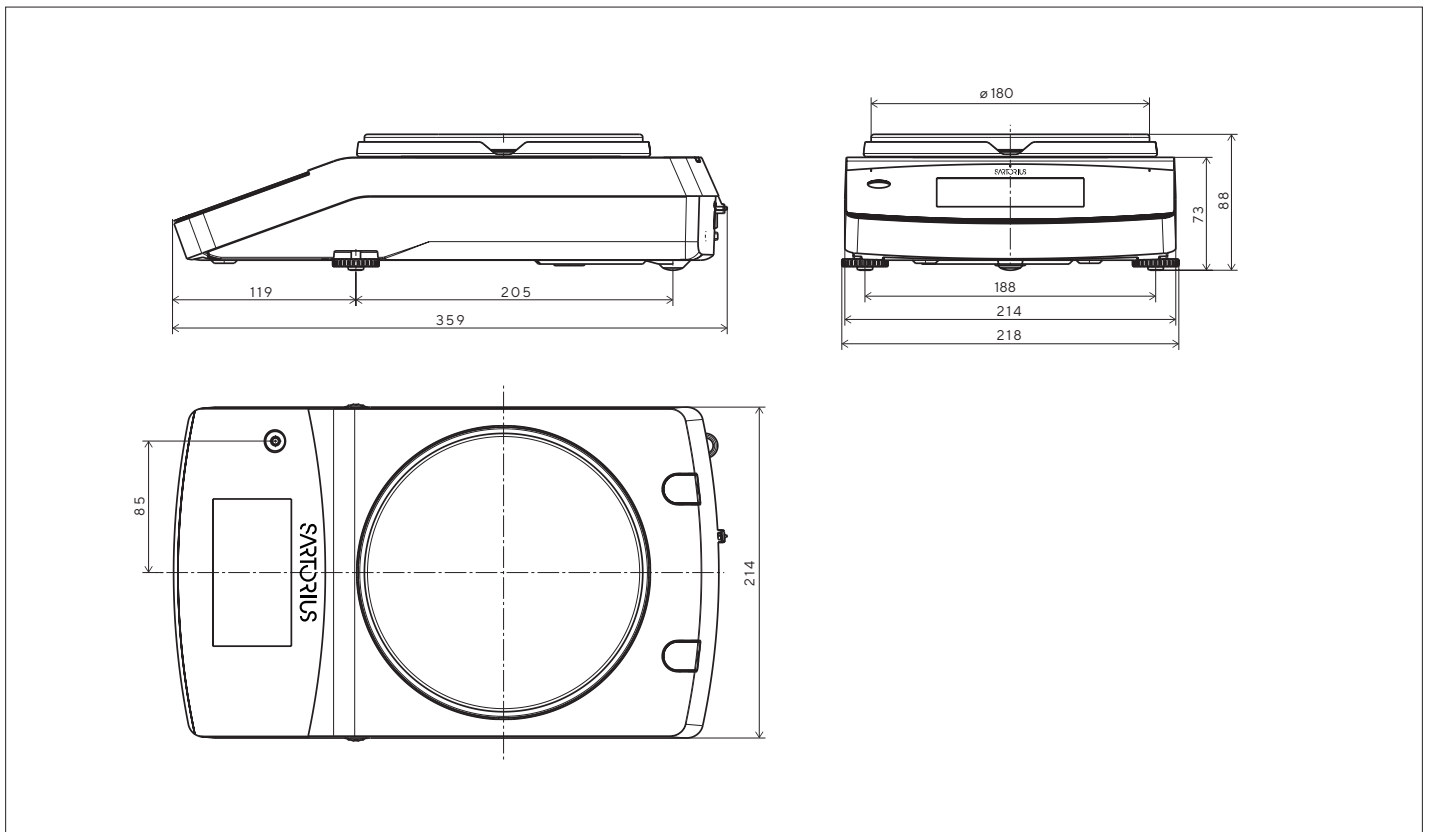
Models with a readability of 1 mg, in mm



Models with a readability of 10 mg and a capacity of $\geq 3,100$ g, in mm



Models with a readability of ≥ 10 mg (exclude 3102, 5102, 6102), in mm




Germany

Sartorius Lab Instruments GmbH & Co. KG
Otto-Brenner-Straße 20
37079 Göttingen
Phone +49 551 308 0

USA

Sartorius Corporation
565 Johnson Avenue
Bohemia, NY 11716
Phone +1 631 254 4249
Toll-free +1 800 635 2906

 For further information, visit
www.sartorius.com