



Sartobind[®] pico 0.08 mL

Membrane chromatography tool
for process development

Benefits

- Reduces material consumption in early development phases
- Reduces cost during virus spiking studies
- Plug and play screening device
- Available in standard membrane adsorber chemistries
- Scales to larger capsules in binding capacity and flow rate



Product Information

Sartobind pico with 0.08 mL is the smallest member of the Sartobind family with nano, mini, 5", 10", 20", 30" and mega capsules. Since all devices are used for flow-through polishing, the 4 mm bed height is kept constant to scale to larger devices up to 1.6 liters. The small membrane volume of 0.08 mL reduces material consumption during testing and virus spiking studies to save cost during the initial development phases.

Applications

Sartobind pico is useful for optimizing the operation conditions for purification of recombinant proteins, Mabs, viruses and vaccines.

Contaminant removal:

- Host cell proteins
- DNA
- Endotoxins
- Viruses
- Aggregates

Bind & Elute:

- Large proteins
- Vaccines
- Viruses
- Virus likes

The Sartobind pico construction follows the same principles as the larger cylindric devices. Membrane layers are stacked to 4 mm bed height and represent thereby a small section taken from a larger capsules.

The Sartobind pico can be used with a Luer syringe or connected to a liquid chromatography system.

Sartobind pico units with 4 mm bed height are available with four different membrane chemistries.

Sartobind Selection Kit pico contains each one of Q, S and STIC PA pico for initial evaluation of ion exchanger membrane types.

Technical Data

Base membrane	Stabilized reinforced cellulose
Membrane thickness	275 µm
Nominal pore size	> 3 µm
Number of Layers	15
Bed height	4 mm
Bed volume	0.08 mL
Adsorption area	2.9 cm ²
Void volume	0.4 mL
Recommended flow rate	0.8 – 2.4 mL/min
Dimensions (height × diameter)	31 × 11 mm

Membrane types and ligands	
Strong basic anion exchanger	Quaternary ammonium (Q) R-CH ₂ -N ⁺ -(CH ₃) ₃
Salt tolerant anion exchanger	Primary amine (PA)
Strong acidic cation exchanger	Sulfonic acid (S) R-CH ₂ -SO ₃ ⁻
Hydrophobic interaction membrane	Phenyl

Binding capacity* mg/mL and mg/unit	
Q	29 2.3
PA	50 4.0
S	25.5 2.0
Phenyl**	7.3 0.6

Materials	
Plastic	Polypropylene
Connectors	Luer female
Max. Pressure	6 bar (0.6 MPa, 87 psi)

Stability	
Short term pH stability	Q, PA, Phenyl: 2 – 14 S: 3 – 14

Chemical stability	
	Stable in common chromatography buffers, unstable to peroxide and other oxidizing or reactive reagents

* Reference proteins: Bovine serum albumin for Q and PA, lysozyme for S and bovine IgG for Phenyl

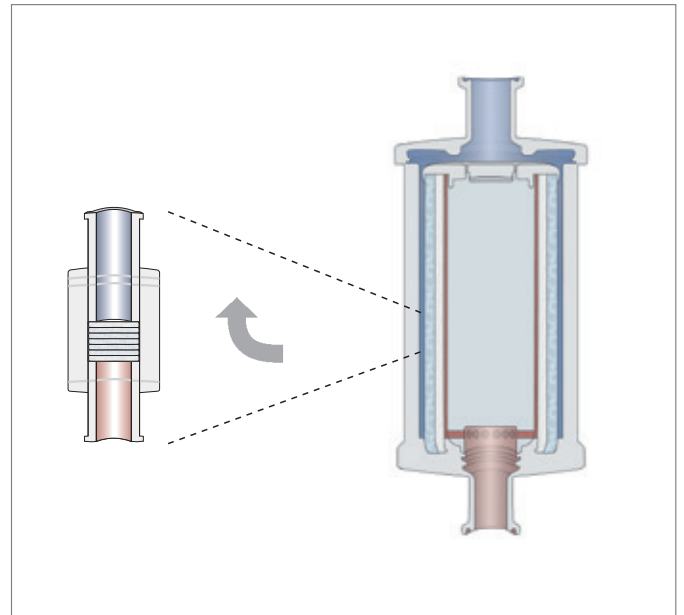
** Value for void volume optimized devices e.g. Sartobind Phenyl nano 3 mL with 8 mm bed height: 14.6 mg/mL

Ordering information

Article No.	Description	Quantity
Sartobind pico		
92IEXQ42DD-11--D	Sartobind Q pico 0.08 mL	10
92STPA42DD-11--D	Sartobind STIC PA pico 0.08 mL	10
92IEXS42DD-11--D	Sartobind S pico 0.08 mL	10
92HICP42DD-11--D	Sartobind Phenyl pico 0.08 mL	10
92MU0142DD-11	Sartobind Selection Kit pico	1 each of Q, S and STIC PA

Enclosed in each shipment:
1 manual, 1 certificate, 2 Luer male to female adapters

Article No.	Description	Quantity
Accessories		
1ZA---0004	Adapter Luer male to female UNF-10-32 PEEK	1



Sartobind pico represents a section from larger capsules



The smallest 0.08 mL device scales to 1.6 liter capsules as the 4 mm membrane bed height is kept constant

Sales and Service Contacts

For further contacts, visit www.sartorius-stedim.com

Europe

Germany

Sartorius Stedim Biotech GmbH
August-Spindler-Strasse 11
37079 Goettingen

Phone +49.551.308.0
Fax +49.551.308.3289

Sartorius Stedim Systems GmbH
Robert-Bosch-Strasse 5 - 7
34302 Guxhagen

Phone +49.5665.407.0
Fax +49.5665.407.2200

France

Sartorius Stedim FMT S.A.S.
ZI des Paluds
Avenue de Jouques - CS 91051
13781 Aubagne Cedex

Phone +33.442.845600
Fax +33.442.845619

Sartorius Stedim France SAS
ZI des Paluds
Avenue de Jouques - CS 71058
13781 Aubagne Cedex

Phone +33.442.845600
Fax +33.442.846545

Austria

Sartorius Stedim Austria GmbH
Franzosengraben 12
1030 Vienna

Phone +43.1.7965763.18
Fax +43.1.796576344

Belgium

Sartorius Stedim Belgium N.V.
Leuvensesteenweg, 248/B
1800 Vilvoorde

Phone +32.2.756.06.80
Fax +32.2.756.06.81

Hungary

Sartorius Stedim Hungária Kft.
Kagyló u. 5
2092 Budakeszi

Phone +36.23.457.227
Fax +36.23.457.147

Italy

Sartorius Stedim Italy S.p.A.
Via dell'Antella, 76/A
50012 Antella-Bagno a Ripoli (FI)

Phone +39.055.63.40.41
Fax +39.055.63.40.526

Netherlands

Sartorius Stedim Netherlands B.V.

Phone +31.30.60.25.080
Fax +31.30.60.25.099

filtratie.nederland@sartorius-stedim.com

Poland

Sartorius Stedim Poland Sp. z o.o.
ul. Wrzesinska 70
62-025 Kostrzyn

Phone +48.61.647.38.40
Fax +48.61.879.25.04

Russian Federation

LLC "Sartorius ICR" and LLC "Biohit"
Uralskaya str. 4, Lit. B
199155, Saint-Petersburg

Phone +7.812.327.5.327
Fax +7.812.327.5.323

Spain

Sartorius Stedim Spain, S.A.U.
Avda. de la Industria, 32
Edificio PAYMA
28108 Alcobendas (Madrid)

Phone +34.902.110.935
Fax +34.91.358.96.23

Switzerland

Sartorius Stedim Switzerland AG
Ringstrasse 24 a
8317 Tagelswangen

Phone +41.52.354.36.36
Fax +41.52.354.36.46

U.K.

Sartorius Stedim UK Ltd.
Longmead Business Centre
Blenheim Road, Epsom
Surrey KT19 9 QQ

Phone +44.1372.737159
Fax +44.1372.726171

Ukraine

LLC "Biohit"
Post Box 440 "B"
01001 Kiev, Ukraine

Phone +380.44.411.4918
Fax +380.50.623.3162

America

USA

Sartorius Stedim North America Inc.
5 Orville Drive, Suite 200
Bohemia, NY 11716

Toll-Free +1.800.368.7178
Fax +1.631.254.4253

Argentina

Sartorius Argentina S.A.
Int. A. Ávalos 4251
B1605ECS Munro
Buenos Aires

Phone +54.11.4721.0505
Fax +54.11.4762.2333

Brazil

Sartorius do Brasil Ltda
Avenida Senador Vergueiro 2962
São Bernardo do Campo
CEP 09600-000 - SP- Brasil

Phone +55.11.4362.8900
Fax + 55.11.4362.8901

Mexico

Sartorius de México S.A. de C.V.
Circuito Circunvalación Poniente
No. 149
Ciudad Satélite
53100, Estado de México
México

Phone +52.5555.62.1102
Fax +52.5555.62.2942

Asia | Pacific

Australia

Sartorius Stedim Australia Pty. Ltd.
Unit 5, 7-11 Rodeo Drive
Dandenong South Vic 3175

Phone +61.3.8762.1800
Fax +61.3.8762.1828

China

Sartorius Stedim Biotech (Beijing) Co. Ltd.
No. 33 Yu'an Road
Airport Industrial Park Zone B
Shunyi District, Beijing 101300

Phone +86.10.80426516
Fax +86.10.80426580

Sartorius Stedim Biotech (Beijing) Co. Ltd.
Shanghai Branch Office
3rd Floor, North Wing, Tower 1
No. 4560 Jin Ke Road
Pudong District, Shanghai 201210

Phone +86.21.68782300
Fax +86.21.68782332 | 68782882

Sartorius Stedim Biotech (Beijing) Co. Ltd.
Guangzhou Representative Office
Unit K, Building 23
Huihua Commerce & Trade Building
No. 80 Xianlie Middle Road
Guangzhou 510070

Phone +86.20.37618687 | 37618651
Fax +86.20.37619051

India

Sartorius Stedim India Pvt. Ltd.
#69/2-69/3, NH 48, Jakkasandra
Nelamangala Tq
562 123 Bangalore, India

Phone +91.80.4350.5250
Fax +91.80.4350.5253

Japan

Sartorius Stedim Japan K.K.
4th Fl., Daiwa Shinagawa North Bldg.
8-11, Kita-Shinagawa 1-chome
Shinagawa-ku, Tokyo, 140-0001 Japan

Phone +81.3.4331.4300
Fax +81.3.4331.4301

Malaysia

Sartorius Stedim Malaysia Sdn. Bhd.
Lot L3-E-3B, Enterprise 4
Technology Park Malaysia
Bukit Jalil
57000 Kuala Lumpur, Malaysia

Phone +60.3.8996.0622
Fax +60.3.8996.0755

Singapore

Sartorius Stedim Singapore Pte. Ltd.
1 Science Park Road,
The Capricorn, #05-08A,
Singapore Science Park II
Singapore 117528

Phone +65.6872.3966
Fax +65.6778.2494

South Korea

Sartorius Korea Biotech Co., Ltd.
8th Floor, Solid Space B/D,
PanGyoYeok-Ro 220, Bundang-Gu
SeongNam-Si, GyeongGi-Do, 463-400

Phone +82.31.622.5700
Fax +82.31.622.5799

Sartobind[®], and Sartobind STIC[®]
are trademarks of
Sartorius Stedim Biotech GmbH

Technical data are subject to change
without notice.

Preliminary version:
December 15, 2011



▶ www.sartorius-stedim.com