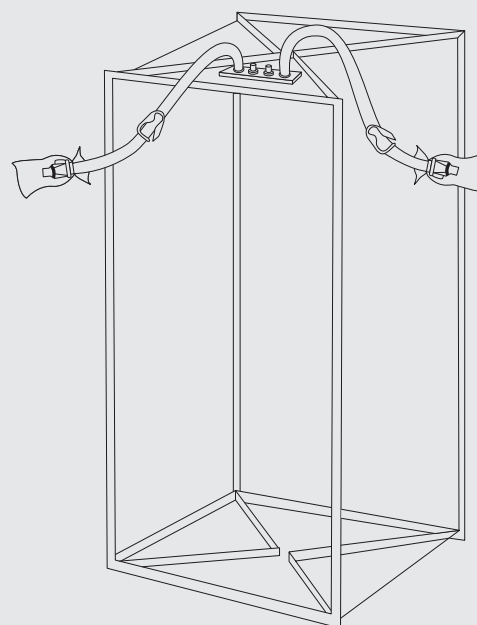


# Standard Flexel<sup>®</sup> 3D Bioprocessing Bags for Drums

For US and Canada



## Product Information

Flexel<sup>®</sup> 3D standard bags are designed for processing, storage and transport of large volume biopharmaceutical solutions in drums. They provide a single-use alternative to traditional stainless steel vessels in a large variety of applications.

### Cost reduction and Risk reduction

Single-use Systems used in biopharmaceutical manufacturing improve process safety as they reduce the risk of cross contamination from batch-to-batch and product-to-product. Costly and time consuming CIP & SIP operations are minimized. This results not only in significant cost savings within the entire manufacturing process, but also in the optimization of capacity utilization.

## Applications

The multi-layer film construction of different materials provides a strong structure with low gas permeability and high chemical resistance for the safe processing of a wide range of biopharmaceutical fluids in a variety of applications such as:

- Buffers and Media filtration & storage
- Bulk harvest
- Product pooling
- Fraction collection
- Sample collection
- Bulk intermediate filtration & hold
- Final product storage and transport

## Flexibility

Standard Flexel® bags for drums are available as stand-alone bags with Silicone tubing, stand-alone bags with C-Flex® tubing and Filter & Bag assemblies incorporating a variety of filter and bag sizes allowing easy adoption to process volume and media. Multiple configurations that also integrate thermoweldable TPE tubing are provided for flexible incorporation into your process. Thus, sterile connection and disconnection devices like the Biowelder® and the Biosealer® can be used to allow safe connections and disconnections from and to another process step.

Female luer fittings with a needle free sampling port may be used for easy and convenient sampling, quick connects may be attached directly or adapted to a variety of connections and tri-clamps that are widely used in a production environment assure maximum flexibility.

## Security of Supply

Sartorius Stedim Biotech has established multiple manufacturing sites with consistent industrial processes. The expertise of designing Single-Use solutions combined with collaborative supplier management and customer demand planning assures a state of the art product supported by a robust supply chain that can cope with strong market growth.

## Validation

Flexel® bags have been qualified applying the most comprehensive and innovative test regimes. Biological, chemical and physical tests combined with extensive extractable testing provide users of Flexel® with data representing the widest range of process fluids in a variety of processing conditions.

Full compliance with ISO11137 allows for a validated claim of sterility on all Sartorius Stedim Biotech single use products with a sterility assurance level of  $10^{-6}$  over the shelf life.

## Quality Assurance

Sartorius Stedim Biotech Quality Systems for Single Use Products follow applicable ISO and FDA regulations for Medical Devices. Design, Manufacture and Sterilization processes are conducted under conditions that mirror biopharmaceutical operations and meet cGMP requirements.

Flexel® 3D bags are tested for compliance to:

- USP <87>: Biological reactivity tests, in Vitro
- USP <88>: Biological reactivity tests, in Vivo
- USP <661>: Tests for plastic
- USP <788> and E.P. 2.9.19: Particulate
- ISO 11737: Bioburden
- ISO 11137: Sterilization of Medical devices

## Supply Chain

The majority of Standard Flexel® 3D bags for drum systems are available from stock.

## Features and Benefits

Multiple manufacturing sites	High security of supply
All connections extensively qualified	Safe and robust
Full compliance with ISO11137	Highest sterility assurance level
Standard design	Most designs available from stock
Various bag & filter sizes	High flexibility

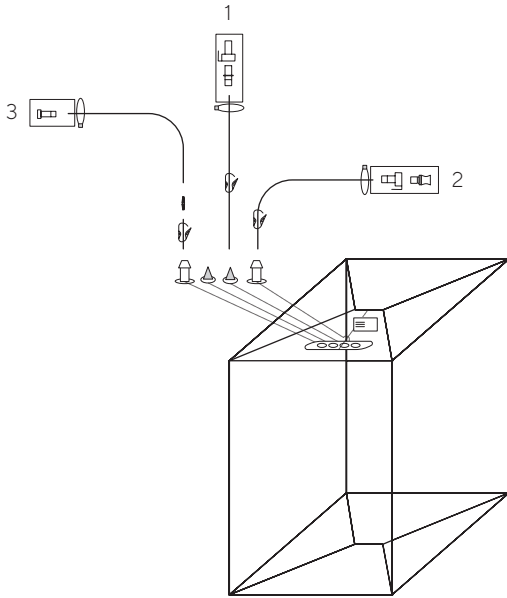
## Technical Specifications

### Standard Flexel® 3D for Drum

Bag chamber	Multiple layer film construction, including EVOH gas barrier layer, LLDPE Contact Layer
Tubing	Silicone, TPE
Fittings	MPX Couplings, Female Luer Lock, MPC Male Coupling, Tri-Clamp, Needle free sampling port
Filters	Sartopore® 2 Gamma Capsule
Volumes	50 L – 560 L
Sterilization	by Gamma Irradiation

# Ordering Information

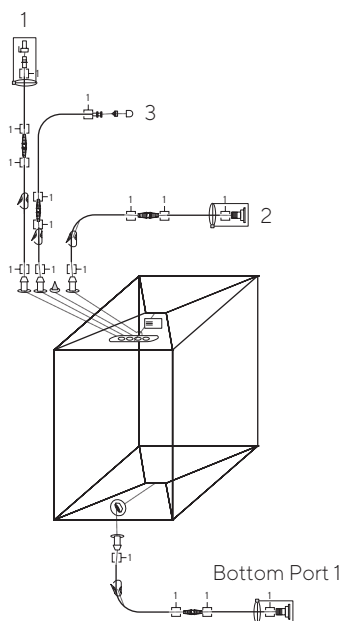
## 1. Standard Flexel® 3D Bags for Drum With Silicone Tubes



Part Number	Description	Tubing	Top Port 1	Top Port 2	Top Port 3	Top Port 4	Qty   Box
FXB207614	Flexel® 50 L for Drum - Silicone	Silicone	½" × ¾" × 0.75 m (30") ½" MPX male + sealing cap	½" × ¾" × 0.75 m (30") ½" MPX female + sealing plug	⅛" × ¼" × 0.45 m (30") TPE + sealing plug	Plug	10
FXB207615	Flexel® 100 L for Drum - Silicone	Silicone	½" × ¾" × 0.75 m (30") ½" MPX male + sealing cap	½" × ¾" × 0.75 m (30") ½" MPX female + sealing plug	⅛" × ¼" × 0.45 m (30") TPE + sealing plug	Plug	10
FXB207616	Flexel® 200 L for Drum - Silicone	Silicone	½" × ¾" × 0.75 m (30") ½" MPX male + sealing cap	½" × ¾" × 0.75 m (30") ½" MPX female + sealing plug	⅛" × ¼" × 0.45 m (30") TPE + sealing plug	Plug	5
FXB207630	Flexel® 560 L for Drum - Silicone	Silicone	½" × ¾" × 0.75 m (30") ½" MPX male + sealing cap	½" × ¾" × 0.75 m (30") ½" MPX female + sealing plug	⅛" × ¼" × 0.45 m (30") TPE + sealing plug	Plug	4

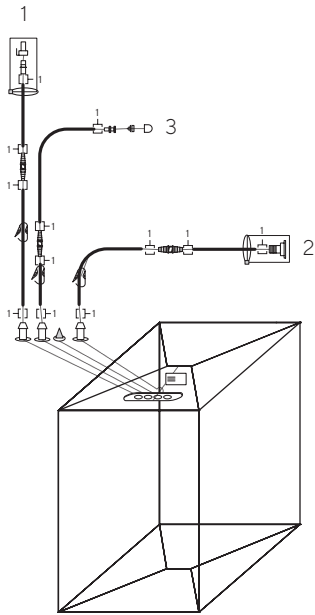
## 2. Standard Flexel® 3D Bags for Drum With Silicone & TPE Tubes

### 2.1. Standard Flexel® 3D bags for drum with silicone & TPE tubes with side bottom drain



Part Number	Description	Tubing	Top Port 1	Top Port 2	Top Port 3	Bottom Port 1	Qty   Box
FXB110917	Flexel® 50 L for Drum - TPE	Silicone + Clear C-Flex® 374	1/2" x 3/4" x 1.5 m (60") 1/2" MPX male + sealing cap	1/2" x 3/4" x 1.5 m (60") 1-1/2" Tri-Clamp	1/8" x 1/4" x 1.1 m (40") LL female + needle free sampling port	1/2" x 3/4" x 1.5 m (60") 1-1/2" Tri-Clamp	5
FXB110919	Flexel® 100 L for Drum - TPE	Silicone + Clear C-Flex® 374	1/2" x 3/4" x 1.5 m (60") 1/2" MPX male + sealing cap	1/2" x 3/4" x 1.5 m (60") 1-1/2" Tri-Clamp	1/8" x 1/4" x 1.1 m (40") LL female + needle free sampling port	1/2" x 3/4" x 1.5 m (60") 1-1/2" Tri-Clamp	5
FXB110920	Flexel® 200 L for Drum - TPE	Silicone + Clear C-Flex® 374	1/2" x 3/4" x 1.5 m (60") 1/2" MPX male + sealing cap	1/2" x 3/4" x 1.5 m (60") 1-1/2" Tri-Clamp	1/8" x 1/4" x 1.1 m (40") LL female + needle free sampling port	1/2" x 3/4" x 1.5 m (60") 1-1/2" Tri-Clamp	5
FXB111626	Flexel® 300 L for Drum - TPE	Silicone + Clear C-Flex® 374	1/2" x 3/4" x 1.5 m (60") 1/2" MPX male + sealing cap	1/2" x 3/4" x 1.5 m (60") 1-1/2" Tri-Clamp	1/8" x 1/4" x 1.1 m (40") LL female + needle free sampling port	1/2" x 3/4" x 1.5 m (60") 1-1/2" Tri-Clamp	5
FXB111631	Flexel® 370 L for Drum - TPE	Silicone + Clear C-Flex® 374	1/2" x 3/4" x 1.5 m (60") 1/2" MPX male + sealing cap	1/2" x 3/4" x 1.5 m (60") 1-1/2" Tri-Clamp	1/8" x 1/4" x 1.1 m (40") LL female + needle free sampling port	1/2" x 3/4" x 1.5 m (60") 1-1/2" Tri-Clamp	5
FXB110921	Flexel® 560 L for Drum - TPE	Silicone + Clear C-Flex® 374	1/2" x 3/4" x 1.5 m (60") 1/2" MPX male + sealing cap	1/2" x 3/4" x 1.5 m (60") 1-1/2" Tri-Clamp	1/8" x 1/4" x 1.1 m (40") LL female + needle free sampling port	1/2" x 3/4" x 1.5 m (60") 1-1/2" Tri-Clamp	2

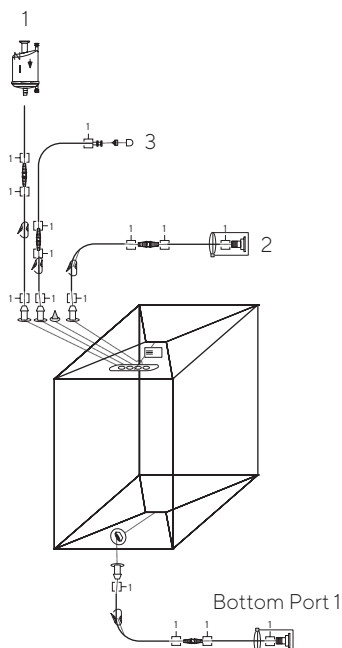
## 2.2. Standard Flexel® 3D bags for drum with silicone & TPE tubes



Part Number	Description	Tubing	Top Port 1	Top Port 2	Top Port 3	Bottom Port 1	Qty   Box
FXB110922	Flexel® 50 L for Drum - TPE	Silicone + Clear C-Flex® 374	$\frac{1}{2}$ " $\times$ $\frac{3}{4}$ " $\times$ 1.5 m (60") $\frac{1}{2}$ " MPX male + sealing cap	$\frac{1}{2}$ " $\times$ $\frac{3}{4}$ " $\times$ 1.5 m (60") 1- $\frac{1}{2}$ " Tri-Clamp	$\frac{1}{8}$ " $\times$ $\frac{1}{4}$ " $\times$ 1.1 m (40") LL female + needle free sampling port	No bottom drain	5
FXB110923	Flexel® 100 L for Drum - TPE	Silicone + Clear C-Flex® 374	$\frac{1}{2}$ " $\times$ $\frac{3}{4}$ " $\times$ 1.5 m (60") $\frac{1}{2}$ " MPX male + sealing cap	$\frac{1}{2}$ " $\times$ $\frac{3}{4}$ " $\times$ 1.5 m (60") 1- $\frac{1}{2}$ " Tri-Clamp	$\frac{1}{8}$ " $\times$ $\frac{1}{4}$ " $\times$ 1.1 m (40") LL female + needle free sampling port	No bottom drain	5
FXB110924	Flexel® 200 L for Drum - TPE	Silicone + Clear C-Flex® 374	$\frac{1}{2}$ " $\times$ $\frac{3}{4}$ " $\times$ 1.5 m (60") $\frac{1}{2}$ " MPX male + sealing cap	$\frac{1}{2}$ " $\times$ $\frac{3}{4}$ " $\times$ 1.5 m (60") 1- $\frac{1}{2}$ " Tri-Clamp	$\frac{1}{8}$ " $\times$ $\frac{1}{4}$ " $\times$ 1.1 m (40") LL female + needle free sampling port	No bottom drain	5

### 3. Standard Flexel® 3D Bags for Drum With Silicone & TPE Tubes & Sartopore® 2 Gamma Midicaps®

#### 3.1. Standard Flexel® 3D bags for drum with silicone & TPE tubes with side bottom drain & Sartopore® 2 Gamma Midicaps® 0.2 µm (50 L to 370 L)

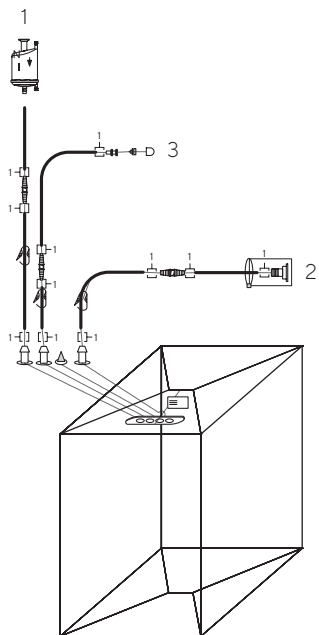


Part Number	Description	Tubing	Top Port 1	Top Port 2	Top Port 3	Bottom Port 1	Qty   Box
FXB110954	Flexel® 50 L for Drum <ul style="list-style-type: none"> <li>▪ TPE</li> <li>▪ Sartopore® 2 Gamma</li> </ul>	Silicone + Clear C-Flex® 374	½" x ¾" x 1.5 m (60") Sartopore® 2 Gamma, 1-½" Tri-Clamp Midicaps® size 7, 0.2 µm; filter inlet 1.5" sanitary flange 500 cm²	½" x ¾" x 1.5 m (60")	⅝" x ¼" x 1.1 m (40") LL female + needle free sampling port	½" x ¾" x 1.5 m (60") 1-½" Tri-Clamp	5
FXB110958	Flexel® 100 L for Drum <ul style="list-style-type: none"> <li>▪ TPE</li> <li>▪ Sartopore® 2 Gamma</li> </ul>	Silicone + Clear C-Flex® 374	½" x ¾" x 1.5 m (60") Sartopore® 2 Gamma, 1-½" Tri-Clamp Midicaps® size 8, 0.2 µm; filter inlet 1.5" sanitary flange 1,000 cm²	½" x ¾" x 1.5 m (60")	⅝" x ¼" x 1.1 m (40") LL female + needle free sampling port	½" x ¾" x 1.5 m (60") 1-½" Tri-Clamp	5
FXB110960	Flexel® 200 L for Drum <ul style="list-style-type: none"> <li>▪ TPE</li> <li>▪ Sartopore® 2 Gamma</li> </ul>	Silicone + Clear C-Flex® 374	½" x ¾" x 1.5 m (60") Sartopore® 2 Gamma, 1-½" Tri-Clamp Midicaps® size 9, 0.2 µm; filter inlet 1.5" sanitary flange 2,000 cm²	½" x ¾" x 1.5 m (60")	⅝" x ¼" x 1.1 m (40") LL female + needle free sampling port	½" x ¾" x 1.5 m (60") 1-½" Tri-Clamp	5
FXB111629	Flexel® 300 L for Drum <ul style="list-style-type: none"> <li>▪ TPE</li> <li>▪ Sartopore® 2 Gamma</li> </ul>	Silicone + Clear C-Flex® 374	½" x ¾" x 1.5 m (60") Sartopore® 2 Gamma, 1-½" Tri-Clamp Midicaps® size 9, 0.2 µm; filter inlet 1.5" sanitary flange 2,000 cm²	½" x ¾" x 1.5 m (60")	⅝" x ¼" x 1.1 m (40") LL female + needle free sampling port	½" x ¾" x 1.5 m (60") 1-½" Tri-Clamp	2
FXB111633	Flexel® 370 L for Drum <ul style="list-style-type: none"> <li>▪ TPE</li> <li>▪ Sartopore® 2 Gamma</li> </ul>	Silicone + Clear C-Flex® 374	½" x ¾" x 1.5 m (60") Sartopore® 2 Gamma, 1-½" Tri-Clamp Midicaps® size 9, 0.2 µm; filter inlet 1.5" sanitary flange 2,000 cm²	½" x ¾" x 1.5 m (60")	⅝" x ¼" x 1.1 m (40") LL female + needle free sampling port	½" x ¾" x 1.5 m (60") 1-½" Tri-Clamp	2

3.2. Standard Flexel® 3D bags for drum with silicone & TPE tubes with side bottom drain  
& Sartopore® 2 Gamma Midicaps® 0.1 µm (50 L to 370 L)

Part Number	Description	Tubing	Top Port 1	Top Port 2	Top Port 3	Bottom Port 1	Qty   Box
FXB110969	Flexel® 50 L for Drum ▪ TPE ▪ Sartopore® 2 Gamma	Silicone + Clear C-Flex® 374	½" × ¾" × 1.5 m (60") filter inlet 1.5" sanitary flange Sartopore® 2 Gamma, Midicaps® size 7, 0.1 µm; 500 cm²	½" × ¾" × 1.5 m (60") 1-½" Tri-Clamp	⅝" × ¼" × 1.1 m (40") LL female + needle free sampling port	½" × ¾" × 1.5 m (60") 1-½" Tri-Clamp	5
FXB110971	Flexel® 100 L for Drum ▪ TPE ▪ Sartopore® 2 Gamma	Silicone + Clear C-Flex® 374	½" × ¾" × 1.5 m (60") filter inlet 1.5" sanitary flange Sartopore® 2 Gamma, Midicaps® size 8, 0.1 µm; 1,000 cm²	½" × ¾" × 1.5 m (60") 1-½" Tri-Clamp	⅝" × ¼" × 1.1 m (40") LL female + needle free sampling port	½" × ¾" × 1.5 m (60") 1-½" Tri-Clamp	5
FXB110973	Flexel® 200 L for Drum ▪ TPE ▪ Sartopore® 2 Gamma	Silicone + Clear C-Flex® 374	½" × ¾" × 1.5 m (60") filter inlet 1.5" sanitary flange Sartopore® 2 Gamma, Midicaps® size 9, 0.1 µm; 2,000 cm²	½" × ¾" × 1.5 m (60") 1-½" Tri-Clamp	⅝" × ¼" × 1.1 m (40") LL female + needle free sampling port	½" × ¾" × 1.5 m (60") 1-½" Tri-Clamp	5
FXB111630	Flexel® 300 L for Drum ▪ TPE ▪ Sartopore® 2 Gamma	Silicone + Clear C-Flex® 374	½" × ¾" × 1.5 m (60") filter inlet 1.5" sanitary flange Sartopore® 2 Gamma, Midicaps® size 9, 0.1 µm; 2,000 cm²	½" × ¾" × 1.5 m (60") 1-½" Tri-Clamp	⅝" × ¼" × 1.1 m (40") LL female + needle free sampling port	½" × ¾" × 1.5 m (60") 1-½" Tri-Clamp	2
FXB111634	Flexel® 370 L for Drum ▪ TPE ▪ Sartopore® 2 Gamma	Silicone + Clear C-Flex® 374	½" × ¾" × 1.5 m (60") filter inlet 1.5" sanitary flange Sartopore® 2 Gamma, Midicaps® size 9, 0.1 µm; 2,000 cm²	½" × ¾" × 1.5 m (60") 1-½" Tri-Clamp	⅝" × ¼" × 1.1 m (40") LL female + needle free sampling port	½" × ¾" × 1.5 m (60") 1-½" Tri-Clamp	2

### 3.3. Standard Flexel® 3D bags for drum with silicone & TPE tubes & Sartopore® 2 Gamma Midicaps® 0.2 µm (50 L to 200 L)



Part Number	Description	Tubing	Top Port 1	Top Port 2	Top Port 3	Bottom Port 1	Qty   Box
FXB110955	Flexel® 50 L for Drum <ul style="list-style-type: none"> <li>▪ TPE</li> <li>▪ Sartopore® 2 Gamma</li> </ul>	Silicone + Clear C-Flex® 374	½" × ¾" × 1.5 m (60") Sartopore® 2 Gamma, 1-½" Tri-Clamp Midicaps® size 7, 0.2 µm; filter inlet 1.5" sanitary flange 500 cm²	½" × ¾" × 1.5 m (60")	⅝" × ¼" × 1.1 m (40") LL female + needle free sampling port	No bottom drain	5
FXB110959	Flexel® 100 L for Drum <ul style="list-style-type: none"> <li>▪ TPE</li> <li>▪ Sartopore® 2 Gamma</li> </ul>	Silicone + Clear C-Flex® 374	½" × ¾" × 1.5 m (60") Sartopore® 2 Gamma, 1-½" Tri-Clamp Midicaps® size 8, 0.2 µm; filter inlet 1.5" sanitary flange 1,000 cm²	½" × ¾" × 1.5 m (60")	⅝" × ¼" × 1.1 m (40") LL female + needle free sampling port	No bottom drain	5
FXB110961	Flexel® 200 L for Drum <ul style="list-style-type: none"> <li>▪ TPE</li> <li>▪ Sartopore® 2 Gamma</li> </ul>	Silicone + Clear C-Flex® 374	½" × ¾" × 1.5 m (60") Sartopore® 2 Gamma 1-½" Tri-Clamp Midicaps® size 9, 0.2 µm; filter inlet 1.5" sanitary flange 2,000 cm²	½" × ¾" × 1.5 m (60")	⅝" × ¼" × 1.1 m (40") LL female + needle free sampling port	No bottom drain	5

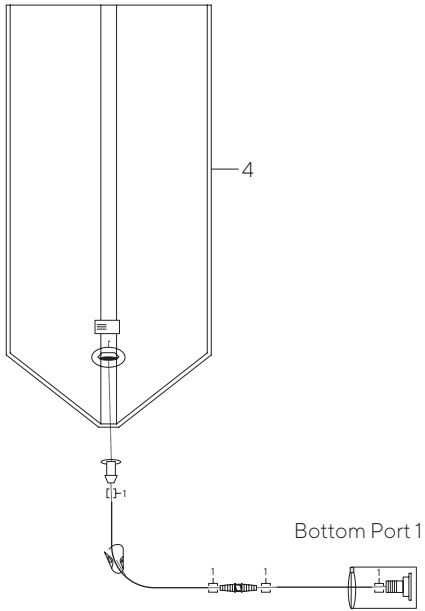


3.3. Standard Flexel® 3D bags for drum with silicone & TPE tubes & Sartopore® 2 Gamma Midicaps® 0.1 µm (50 L to 200 L)

Part Number	Description	Tubing	Top Port 1	Top Port 2	Top Port 3	Bottom Port 1	Qty   Box
FXB110970	Flexel® 50 L for Drum <ul style="list-style-type: none"> <li>▪ TPE</li> <li>▪ Sartopore® 2 Gamma</li> </ul>	Silicone + Clear C-Flex® 374	½" × ¾" × 1.5 m (60") Sartopore® 2 Gamma, 1-½" Tri-Clamp Midicaps® size 7, 0.1 µm; filter inlet 1.5" sanitary flange 500 cm²	½" × ¾" × 1.5 m (60")	½" × ¼" × 1.1 m (40") LL female + needle free sampling port	No bottom drain	5
FXB110972	Flexel® 100 L for Drum <ul style="list-style-type: none"> <li>▪ TPE</li> <li>▪ Sartopore® 2 Gamma</li> </ul>	Silicone + Clear C-Flex® 374	½" × ¾" × 1.5 m (60") Sartopore® 2 Gamma, 1-½" Tri-Clamp Midicaps® size 8, 0.1 µm; filter inlet 1.5" sanitary flange 1,000 cm²	½" × ¾" × 1.5 m (60")	½" × ¼" × 1.1 m (40") LL female + needle free sampling port	No bottom drain	5
FXB110974	Flexel® 200 L for Drum <ul style="list-style-type: none"> <li>▪ TPE</li> <li>▪ Sartopore® 2 Gamma</li> </ul>	Silicone + Clear C-Flex® 374	½" × ¾" × 1.5 m (60") Sartopore® 2 Gamma 1-½" Tri-Clamp Midicaps® size 9, 0.1 µm; filter inlet 1.5" sanitary flange 2,000 cm²	½" × ¾" × 1.5 m (60")	½" × ¼" × 1.1 m (40") LL female + needle free sampling port	No bottom drain	5

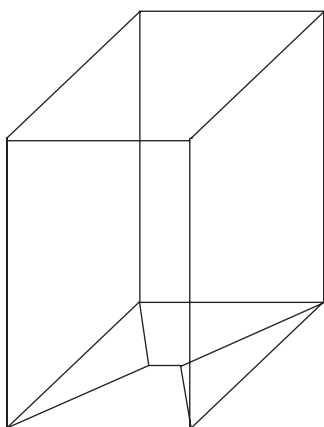
## 4. Standard Flexel® Tank Liners for Drum

### 4.1. Standard Sterile Flexel® tank liners for drum with side bottom drain



Part Number	Description	Tubing	Bottom Port 1	Qty   Box
FXB110931	Flexel® 30 L liner - TPE	Silicone + Clear C-Flex® 374	½" × ¾" × 1.5 m (60") 1-½" Tri-Clamp	10
FXB110934	Flexel® 50 L liner - TPE	Silicone + Clear C-Flex® 374	½" × ¾" × 1.5 m (60") 1-½" Tri-Clamp	10
FXB110936	Flexel® 100 L liner - TPE	Silicone + Clear C-Flex® 374	½" × ¾" × 1.5 m (60") 1-½" Tri-Clamp	10
FXB110937	Flexel® 200 L liner - TPE	Silicone + Clear C-Flex® 374	½" × ¾" × 1.5 m (60") 1-½" Tri-Clamp	10
FXB111636	Flexel® 300 L liner - TPE	Silicone + Clear C-Flex® 374	½" × ¾" × 1.5 m (60") 1-½" Tri-Clamp	10
FXB111637	Flexel® 370 L liner - TPE	Silicone + Clear C-Flex® 374	½" × ¾" × 1.5 m (60") 1-½" Tri-Clamp	10
FXB110939	Flexel® 560 L liner - TPE	Silicone + Clear C-Flex® 374	½" × ¾" × 1.5 m (60") 1-½" Tri-Clamp	5
FXB110940	Flexel® 1,000 L liner - TPE	Silicone + Clear C-Flex® 374	½" × ¾" × 1.5 m (60") 1-½" Tri-Clamp	5

## 4.2. Standard Flexel® tank liners for drum




Part Number	Description	Sterility	Qty   Box
FXB207551	Flexel® 50 L liner	Non sterile	20
FXB207552	Flexel® 100 L liner	Non sterile	20
FXB207553	Flexel® 200 L liner	Non sterile	20
FXB207554	Flexel® 300 L liner	Non sterile	20
FXB207555	Flexel® 370 L liner	Non sterile	20
FXB207556	Flexel® 560 L liner	Non sterile	10
FXB207557	Flexel® 750 L liner	Non sterile	10
FXB207051	Flexel® 1,000 L liner	Non sterile	10
FXB207559	Flexel® 50 L liner	Sterile	20
FXB207560	Flexel® 100 L liner	Sterile	20
FXB207561	Flexel® 200 L liner	Sterile	20
FXB207562	Flexel® 300 L liner	Sterile	20
FXB207563	Flexel® 370 L liner	Sterile	20
FXB207564	Flexel® 560 L liner	Sterile	10
FXB207565	Flexel® 750 L liner	Sterile	10
FXB207084	Flexel® 1,000 L liner	Sterile	10

**Germany**

Sartorius Stedim Biotech GmbH  
August-Spindler-Strasse 11  
37079 Goettingen  
Phone +49 551 308 0

**USA**

Sartorius Stedim North America Inc.  
565 Johnson Avenue  
Bohemia, NY 11716  
Toll-Free +1 800 368 7178

 For further contacts, visit  
[www.sartorius.com](http://www.sartorius.com)

Specifications subject to change without notice.

© 2021 Sartorius Stedim FMT S.A.S., Avenue de Jouques - Zone Industrielle Les Paluds - C.S. 91051, 13781 Aubagne Cedex, France

Publication No.: SPT2010am | Order No.: 85034-535-08 | Status: 09 | 24 | 2021