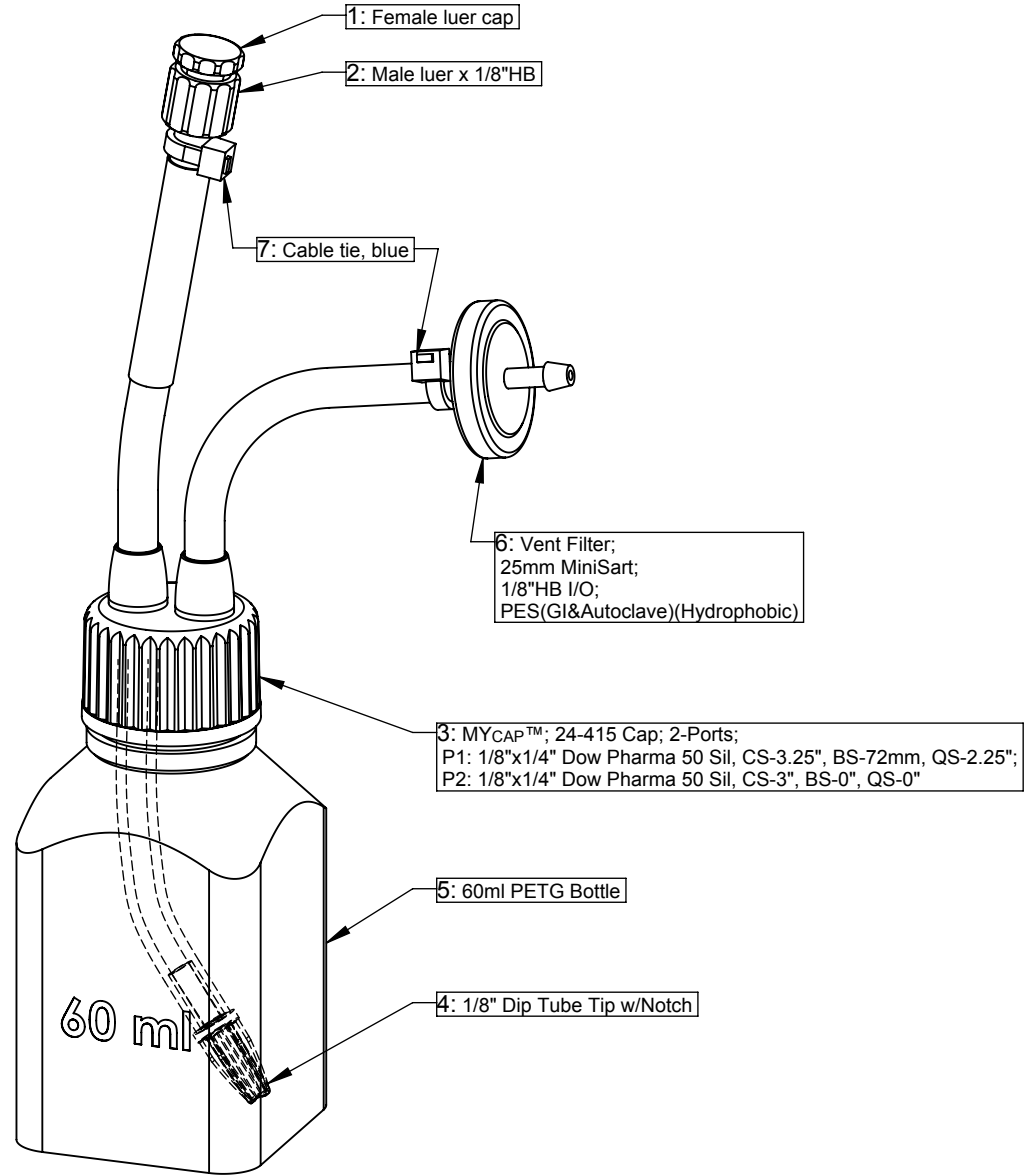


60ml Nalgene Square Media Bottle, PETG



Bill of Materials:

Item	Qty	AP Number	Material
1	1	AP-0099	-ADCF Polypropylene
2	1	AP-0031	-ADCF Polypropylene
3	1	AP-3075	-ADCF Silicone
4	1	AP-2170	-ADCF Polypropylene
5	1	AP-0523	-PETG
6	1	AP-2767	-Polypropylene, PES
7	2	AP-0133	-Tefzel®

Revision History:

0 - Initial release

Dimensional Tolerances:

Tubing Lengths: 0-12" ±0.25"; 0-36" ±0.5"; 36" ±1.0"

Notes:

1. No assembly required.
2. Certificate of Conformance & Certificate of Irradiation provided for each lot.
3. Individually double bagged.
4. Fluid contact materials meet criteria for USP Class VI Testing. Consult Validation Guide for additional tests and details.
5. Gamma Irradiated.
6. Drawing not to scale.

PROPRIETARY AND CONFIDENTIAL

The information contained herein is the sole property of AllPure Technologies, Inc. Reproduction or distribution is prohibited without written consent from AllPure Technologies, Inc.



80 Progress Ave
 New Oxford, PA 17350
 (717) 624-3241
 (717) 624-3051 (fax)

Customer Approval: Approval Not Required

Approval Date:

Part Number: MYCAP NGPG0060C

Drawing Number: MYCAP NGPG0060C

Revision: 0

Released By:

Release Date:

Title:

MYCAP™; 60ml PETG; 2-Ports;
 1/8"x1/4" Silicone w/Dip Tube;
 QS on inlet port