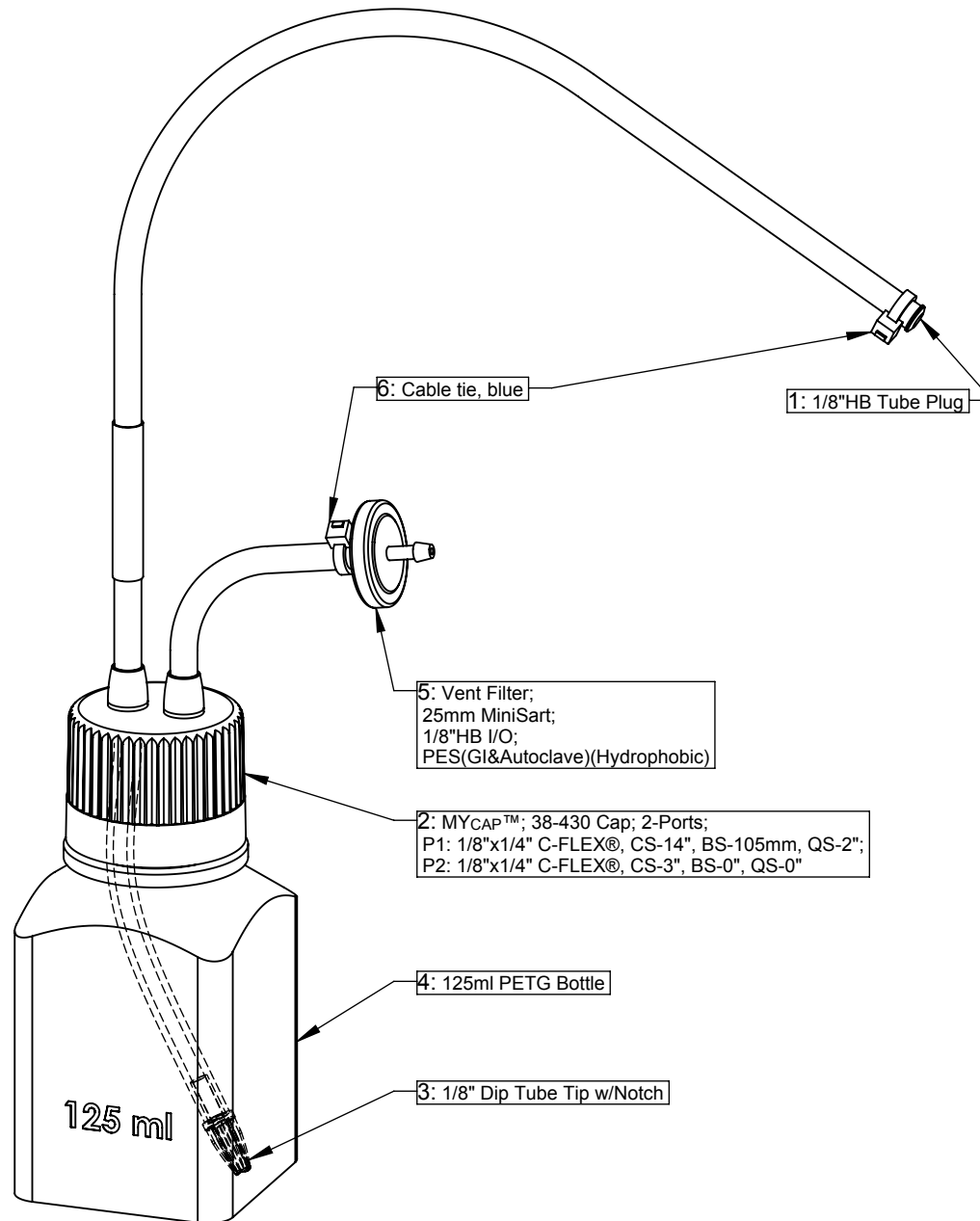


# 125ml Nalgene Square Media Bottle, PETG



## Bill of Materials:

Item	Qty	AP Number	Material
1	1	AP-1181	-ADCF Polypropylene
2	1	AP-3088	-ADCF C-FLEX®(374) -ADCF Silicone
3	1	AP-2170	-ADCF Polypropylene
4	1	AP-0296	-PETG
5	1	AP-2767	-Polypropylene, PES
6	2	AP-0133	-Tefzel®

## Revision History:

0 - Initial release

## Dimensional Tolerances:

Tubing Lengths: 0-12" ±0.25"; 0-36" ±0.5"; 36"+ ±1.0"

## Notes:

1. No assembly required.
2. Certificate of Conformance & Certificate of Irradiation provided for each lot.
3. Individually double bagged.
4. Fluid contact materials meet criteria for USP Class VI Testing. Consult Validation Guide for additional tests and details.
5. Gamma Irradiated.
6. Drawing not to scale.

## PROPRIETARY AND CONFIDENTIAL

The information contained herein is the sole property of AllPure Technologies, Inc. Reproduction or distribution is prohibited without written consent from AllPure Technologies, Inc.



80 Progress Ave  
New Oxford, PA 17350  
(717) 624-3241  
(717) 624-3051 (fax)

Customer Approval: Approval Not Required

Approval Date:

Part Number: MYCAP NGPG0125D

Drawing Number: MYCAP NGPG0125D

Revision: 0

Released By:

Release Date:

Title:

MYCAP™; 125ml PETG; 2-Ports;  
1/8"x1/4" C-FLEX® with Dip Tube;  
QS on inlet port