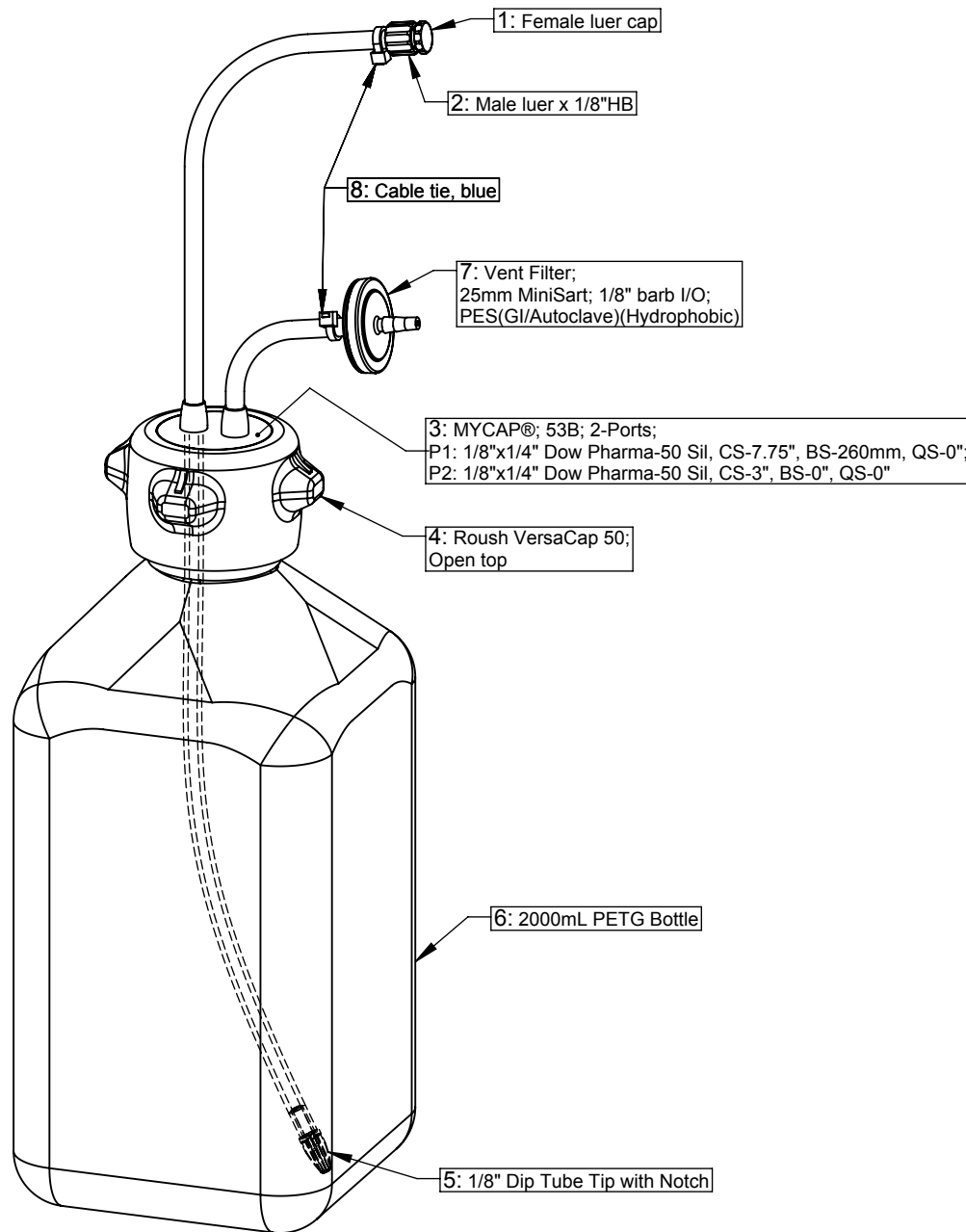


2000mL Nalgene Square Media Bottle, PETG



Bill of Materials:

Item	Qty	AP Number	Material
1	1	AP-0099	-ADCF Polypropylene
2	1	AP-0031	-ADCF Polypropylene
3	1	AP-4833	-ADCF Silicone
4	1	AP-1184	-ADCF Polypropylene
5	1	AP-2170	-ADCF Polypropylene
6	1	AP-1393	-PETG
7	1	AP-2767	-Polypropylene, PES
8	2	AP-0133	-Tefzel®

Revision History:

0 - Initial release

Dimensional Tolerances:

Tubing Lengths:
 0-12" ±0.25"
 0-36" ±0.5"
 36"+ ±1.0"

Notes:

1. No assembly required.
2. Certificate of Conformance & Certificate of Irradiation provided for each lot.
3. Individually double bagged.
4. Fluid contact materials meet criteria for USP Class VI Testing. Consult Validation Guide for additional tests and details.
5. Gamma Irradiated.
6. Drawing not to scale.

PROPRIETARY AND CONFIDENTIAL

The information contained herein is the sole property of Sartorius Stedim North America. Reproduction or distribution is prohibited without written consent from Sartorius Stedim North America.



Sartorius Stedim North America, Inc.
 80 Progress Ave
 New Oxford, PA 17350

biotech
 www.sartorius.com

Customer Approval: Approval Not Required

Approval Date:

Part Number: MYCAP NGPG2000A

Drawing Number: MYCAP NGPG2000A

Revision: 0

Released By:

Release Date:

Title:

MYCAP®; 2000mL PETG; 2-Ports;
 1/8"x1/4" Silicone w/Dip Tube