

# The Basic series

OEM weigh cells

WZA224-L

WZA523-L

WZA8202-L

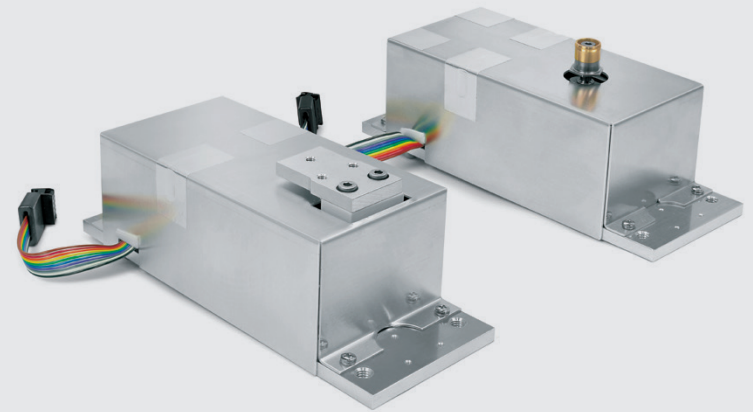
WZA...	224-L	523-L	8202-L
Capacity	220 g	520 g	8200 g
Readability	0.1 mg	1 mg	10 mg

## Outstanding features:

The Basic series focus just on the essentials. Sartorius provides the mechanical and electronic solution. These weighing devices should be integrated by the system provider to overcome the influences of the ambient conditions.

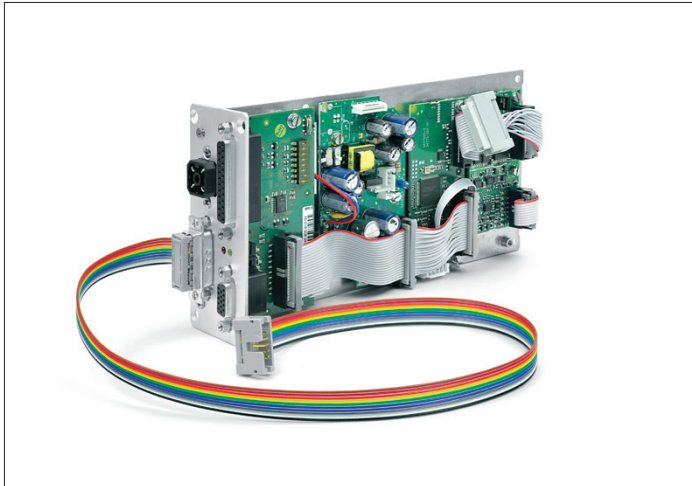
The weigh cell consists of two parts:

- A monolithic weighing system with a protective aluminium housing

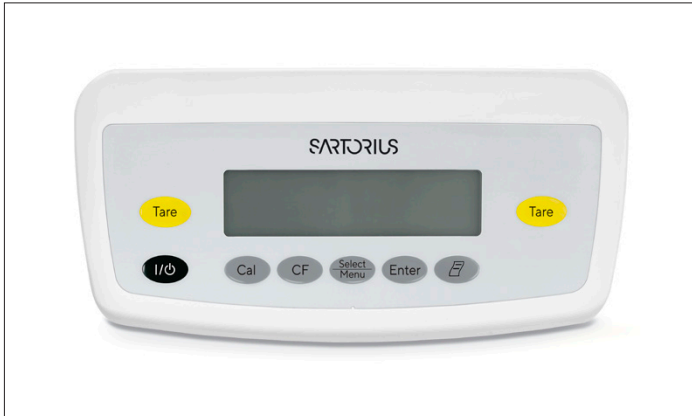


- All electronic parts fix to a metal board
- Force compensation technology weighing system with a resolution of 0.1 mg
- Adjustable load receptor with overload protection up to 520g weigh cell
- Possibility for under floor weighing
- Interconnection on electronic front panel
- LED's to control power and data transfer
- Fast warm-up by separation of weighing system and electronics
- Easy adaptation to space requirements
- RS232C interface for configuration and data transfer
- Optional PC-software with menu setting and weigh data display functions

# Technical Data



Electronic module



YAC01ED (optional)

Model	WZA224-L	WZA523-L	WZA8202-L
Capacity	220 g	520 g	8200 g
Readability	0.1 mg	1 mg	10 mg
Required preload on pan support <sup>1)</sup>	10 g	30 g	350 g
Repeatability (standard deviation) <sup>2)</sup>	≤± 0.1 mg	≤± 1 mg	≤± 10 mg
Linearity	≤± 0.2 mg	≤± 2 mg	≤± 20 mg
Response time <sup>2)3)</sup>	≤ 0.6 s		
Operating temperature range	+10 ... +30 °C		
Allowable temperature range	+5 ... +40 °C		
Weigh cell dimension	181 × 67 × 73 mm		181 × 67 × 65 mm
Electronic   PCB dimension	208 × 100 × 144 mm		
Cable length weigh cell to electronics	Ribbon cable 0.5 m (maximum length 3 m, could be extend at side)		
Load receptor adjustable + overload protection	12 mm (diameter)	12 mm (diameter)	----
Load receptor without overload protection	----	----	three M4 threads in the load receptor area
Under floor load receptor	M3 thread   underneath		
Power supply (optional)	YEPS01-15V0H   100 – 240VAC, 50 – 60Hz  15V DC		
Power supply (alternative)	12 ... 26, optimal 15V (+15% -10%); 0.5V <sub>pp</sub> (Peak to Peak)		
Power consumption	3.4 W (typical)		
Interface	RS232C software   hardware handshake; No system power via RS232 connector		

## Options | Accessories

Windows configuration software for test and adjustment    Sartorius CAS Suite

Liquid-crystal display    YAC01ED

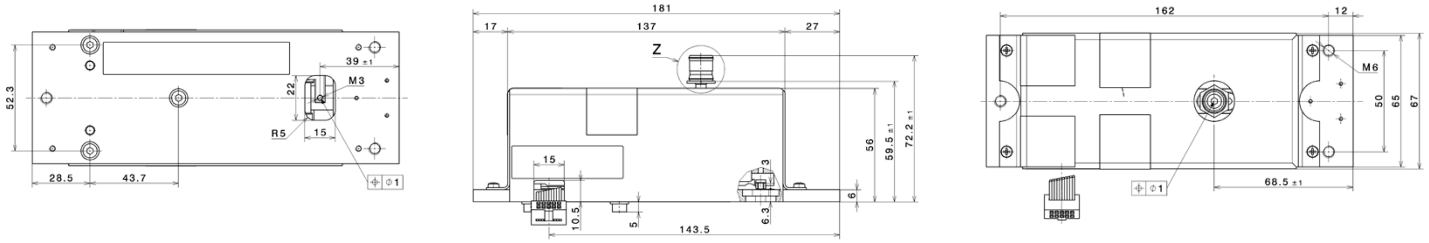
1) the preload can be configured by using the Sartorius CAS Suite software, greater preloads are possible, but reduce the weighing capacity

2) depending on measurement equipment set-up and conditions

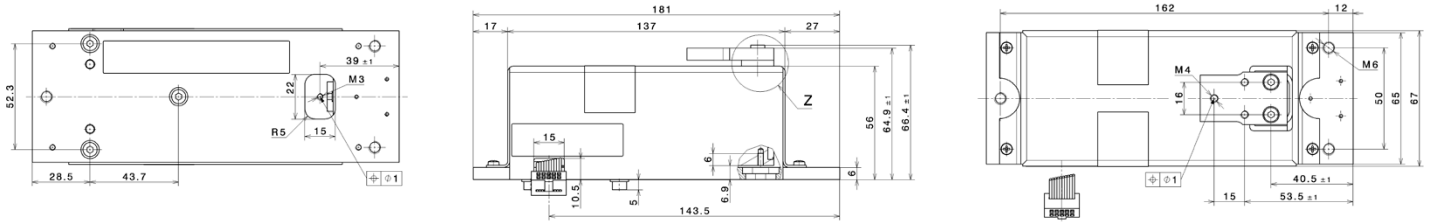
3) measuring time is the time in which the measured value is in the given range around the static end value; test weight is approx. 25% of the weighing range.

## Weigh cell

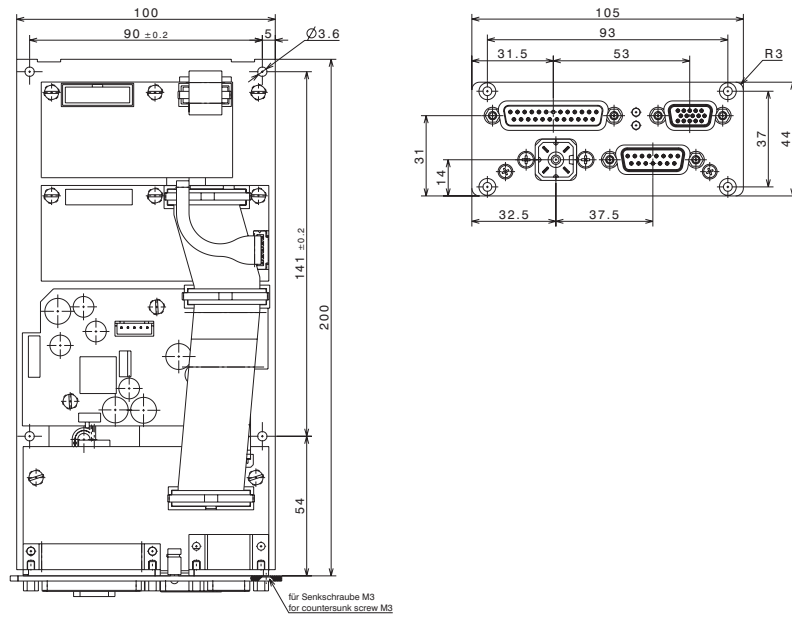
### WZA224-L | WZA523-L



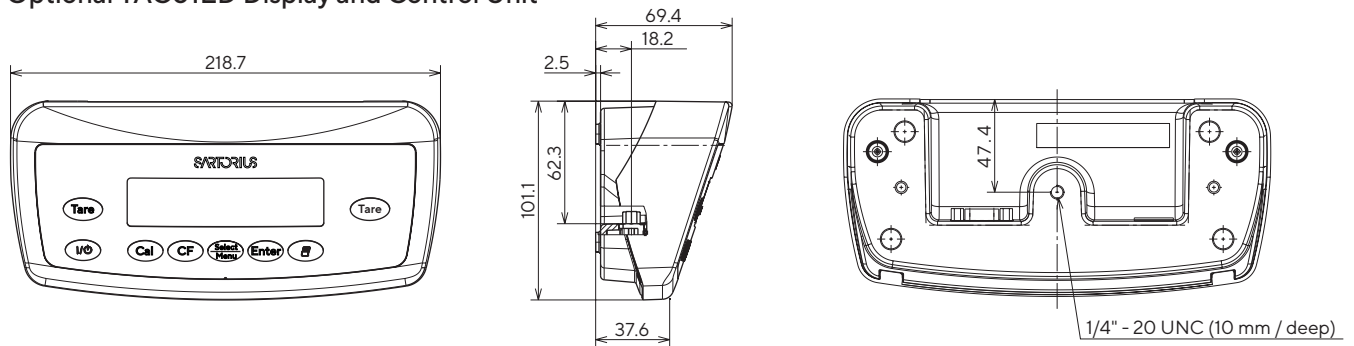
### WZA8202-L



## Electronic module



## Optional YAC01ED Display and Control Unit



Dimensions in mm

**Germany**

Sartorius Lab Instruments GmbH & Co. KG  
Otto-Brenner-Strasse 20  
37079 Goettingen  
Phone +49 551 308 0

**France & Suisse Romande**

Phone +33 170 62 50 00

**Finland & Baltics**

Phone +358 9 755 951

**Italy**

Phone +39 0362 5557 11

**U.K.**

Phone +44 1372 737159

**USA**

Toll-free +1 800 635 2906

**China**


Phone +86 21 6878 2300

**Japan**

Phone +81 3 6478 5200

**South Korea**

Phone +82 31 622 5700

 For further contacts, visit  
[www.sartorius.com](http://www.sartorius.com)